

REV. Status
 REVISION -
 01/09/92 HA
 REVISION A
 TEMECULA
 WAS CARSON
 ADDED STANDOFF
 04/29/98 TS

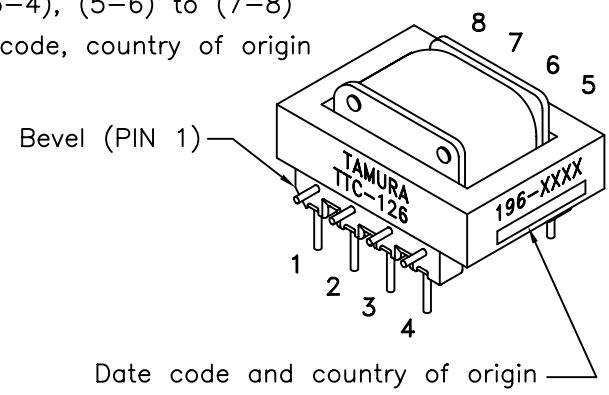
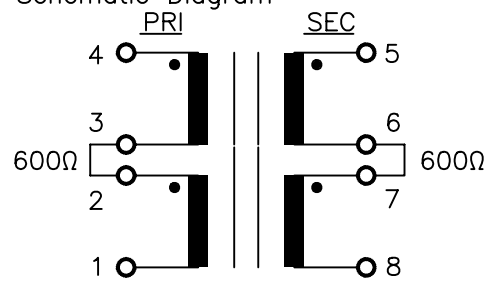
LOW PROFILE FCC68 TELECOMMUNICATION WET COUPLING TRANSFORMER 600CT:600CT

MODEL NUMBER
TTC-126

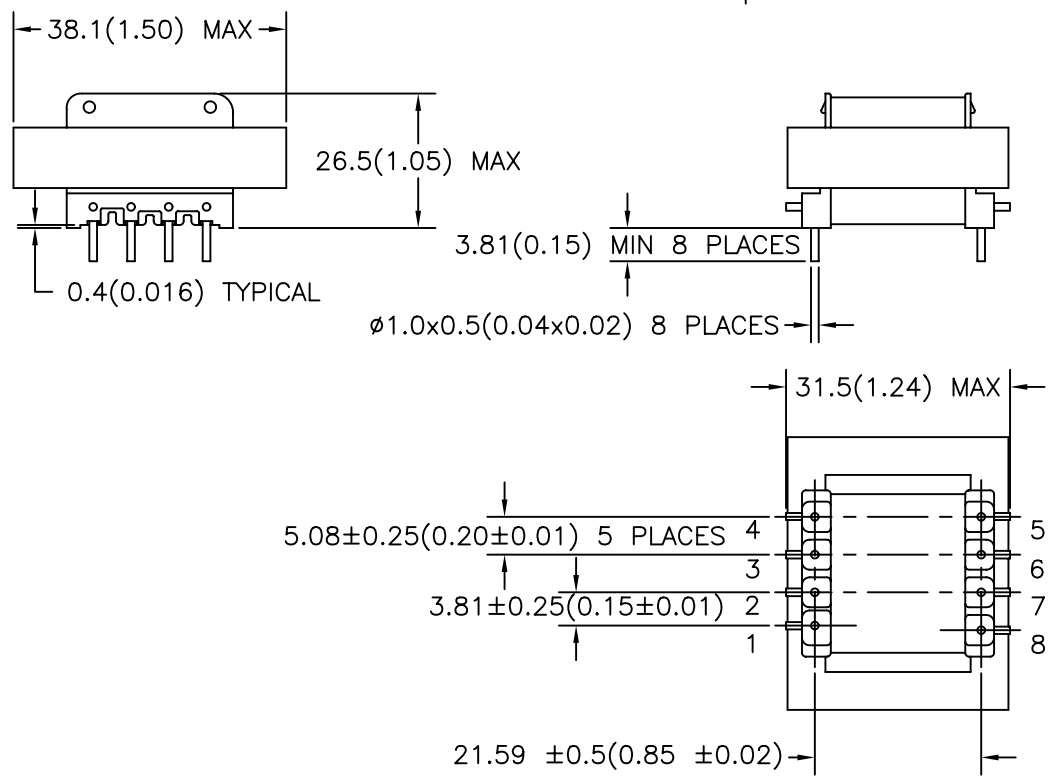
- A. Electrical Specifications (@ 25°C)
1. Pri Source Impedance; 600Ω Split
 2. Sec Load Impedance; 600 Ω Split
 3. Pri DC Current; 90mA MAX, (1-4)
 4. Operating Level; -45dBm to +7dBm
 5. Insertion Loss; 1.0dB MAX @ 1KHz, 0dBm, DC90mA
 6. Frequency Response (relative to 1KHz); ±0.7dB @ 300Hz to 4KHz, 0dBm, DC90mA
 7. Pri Impedance; 600 Ω ±15% @ 300Hz to 4KHz, 0dBm, DC90mA
 8. Longitudinal Balance; 60dB MIN @ 200Hz to 1KHz, 40dB MIN @ 4KHz
 9. DC Resistance; (1-4)= 41 Ω ±20% (5-8)= 54 Ω ±20%
 10. Turns Ratio; (1-4) : (5-8) = 1 : 1.00 ±2%
 11. Dielectric Strength; 1500 Vrms 1 minute @ Pri to Sec, Pri to Core 1000 Vrms 1 minute @ Sec to Core 150Vrms 1 minute @ (1-2) to (3-4), (5-6) to (7-8)

B. Marking; TTC-126, TAMURA, 196-date code, country of origin

C. Schematic Diagram



D. Mechanical Specifications; All dimensions shown are nominal unless otherwise specified



Tel: (973) 779-8282
 Fax: (973) 779-1490
 sales@trcelectronics.com
 http://www.trcelectronics.com
TRCELECTRONICS, INC.
 "Authorized Distributor"
 135 Pasadena Ave.
 Lodi, NJ 07644 USA

PREPARED BY:

D. Kelley

ENGINEER:

T. Shiozawa

QUALITY CONTROL:

D. Kelley

APPROVED:

D. Suzuki

DWG CONTROL NO. P-A1-10349
 ACAD\TTC\A1103491.DWG
 REV A

TELECOMMUNICATION COUPLING TRANSFORMER

TAMURA CORPORATION OF AMERICA
 43352 BUSINESS PARK DRIVE, TEMECULA, CA. 92590-6624

TTC-126

MODEL SPECIFICATION

DIM: mm(in) SCL: 1/1 SH: 1 OF 1

PROPRIETARY NOTICE: THIS DRAWING PRINT OR DOCUMENT AND SUBJECT MATTER DISCLOSED HEREIN ARE PROPRIETARY ITEMS TO WHICH TAMURA RETAINS THE EXCLUSIVE RIGHT OF DISSEMINATION, REPRODUCTION, MANUFACTURE AND SALE. THIS DRAWING, PRINT OR DOCUMENT IS SUBMITTED IN CONFIDENCE FOR CONSIDERATION BY THE RECIPIENT ALONE UNLESS PERMISSION FOR FURTHER DISCLOSURE IS EXPRESSLY GRANTED IN WRITING.