

# Technical Specification for 2.5Gbps Fiber Optic Receiver Module

## SDT9418-R

- |  |  |  |
|--|--|--|
| <input type="checkbox"/> 155.52Mb/s              | <input type="checkbox"/> 622.08Mb/s                                      | <input checked="" type="checkbox"/> other <u>0.1 ~ 2.7Gbps</u> |
| <input type="checkbox"/> Short Haul              | <input checked="" type="checkbox"/> Long Haul                            | <input type="checkbox"/> other _____                           |
| <input type="checkbox"/> Intermediate Reach      | <input checked="" type="checkbox"/> Long Reach                           | <input type="checkbox"/> other _____                           |
| <input checked="" type="checkbox"/> Single 5.0 V | <input type="checkbox"/> Single 3.3 V                                    | <input type="checkbox"/> other _____                           |
| <input checked="" type="checkbox"/> 1.3 μm       | <input checked="" type="checkbox"/> 1.55 μm                              | <input type="checkbox"/> other _____                           |
| <input type="checkbox"/> Transmitter             | <input checked="" type="checkbox"/> Receiver                             | <input type="checkbox"/> Transceiver                           |
|  | ( <input checked="" type="checkbox"/> 2R / <input type="checkbox"/> 3R ) | ( <input type="checkbox"/> 2R / <input type="checkbox"/> 3R )  |



Sumitomo Electric reserves the right to make changes in this specification without prior notice.

**#Safety Precaution** Symbols This specification uses various picture symbols to prevent possible injury to operator or other persons or damage to properties for appropriate use of the product. The symbols and definitions are as shown below. Be sure to be familiar with these symbols before reading this specification.

	<b>Warning</b>	Wrong operation without following this instruction may lead to human death or serious injury.
	<b>Caution</b>	Wrong operation without following this instruction may lead to human injury or property damage.

indicates prohibition of actions. Action details are explained thereafter.

indicates compulsory actions or instructions. Action details are explained thereafter.

## 1. General

The features of SDT9418-R are listed below:

- \* SDH STM-16 L-16.1, L-16.2 & L-16.3 / SONET OC-48 LR-1, LR-2, LR-3 Compliant
- \* Power Supply Voltage                      Single +5V
- \* Low Power Supply Current                160mA (typ.)
- \* Compact Package Size                    43.5 X 19.0 X 9.0mm
- \* Differential PECL output
- \* Signal Detect (FLAG) Function
- \* Built-in DC / DC converter
- \* Optical Input Power Monitor Function
- \* Optical Connector Interface            FC-PC / SC / MU-J / MU connector

## 2. Block Diagram

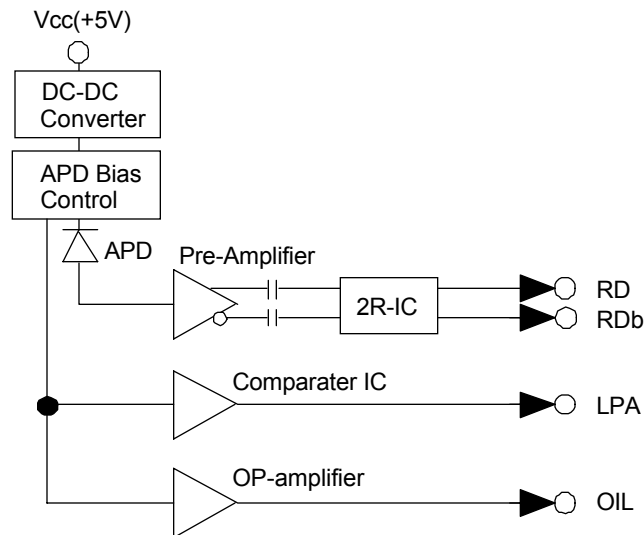


Figure 1 Block Diagram

## 3. Package Dimension

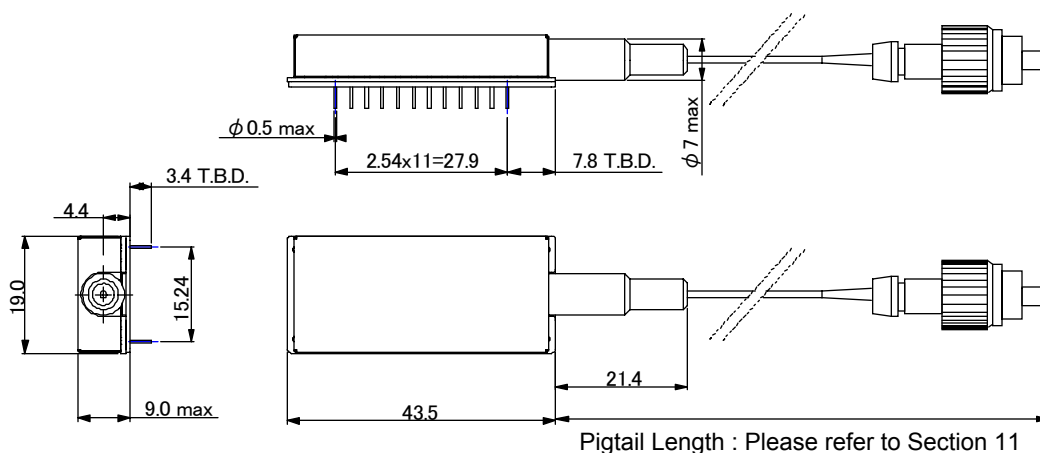


Figure 2 Package Dimension

### ⚠ Caution

- Do not disassemble this product. Otherwise, failure, electrical shock, overheating or fire may occur.
- Handle the lead pins carefully. Use assisting tools or prospective aids as required. A lead pin may injure skin or human body

## 4. Pin Assignment

No.	Symbol	Function	No.	Symbol	Function
1	NIC	No Internal Connection	24	NUC	No User Connection
2	NUC	No User Connection	23	OIL	Optical Input Level
3	LPA	Loss of Power Alarm	22	Vcca	Positive power supply ( Analogue )
4	GND	Ground	21	NUC	No User Connection
5	NIC	No Internal Connection	20	GND	Ground
6	NIC	No Internal Connection	19	GND	Ground
7	GND	Ground	18	NIC	No Internal Connection
8	Vccd	Positive power supply ( Digital )	17	GND	Ground
9	GND	Ground	16	GND	Ground
10	RD	True data output	15	GND	Ground
11	RDb	False data output	14	GND	Ground
12	GND	Ground	13	NUC	No User Connection


## 5. Absolute Maximum Ratings

Parameter	Symbol	min.	Max	Unit	Note
Storage Case Temperature	Ts	-40	85	°C	1
Operating Case Temperature	Tc	-5	75	°C	
Supply Voltage	Vccd, Vcca	0.0	6.0	V	2
Maximum Input Power	Pmax		-5	dBm	
Lead Soldering (Temperature) (Time)			260	°C	3
			10	sec.	


Note 1. No condensation allowed. 2. GND=0.0V

3. Measured on lead pin at 2mm (0.079in.) off the package bottom

### Warning

 Use the product with the rated voltage described in the specification. If the voltage exceeds the maximum rating, overheating or fire may occur.

### Caution

 Do not store the product in the area where temperature exceeds the maximum rating, where there is too much moisture or dampness, where there is acid gas or corrosive gas, or other extreme conditions. Otherwise, failure, overheating or fire may occur.

## 6. Electrical Interface

( Unless otherwise specified, Vcca, Vccd = 4.75 to 5.25 V, @2488.32Mbps, PRBS2^23-1,50% duty and all operating temperature shall apply. )

Parameter	Symbol	Min.	Typ.	Max.	Unit	Note
Supply Voltage	Vcca, Vccd	4.75	5.00	5.25	V	
Supply Current (Vcca and Vccd)	Idrx		200	300	mA	1, 2
Output Voltage Level ( RD, RDb )	High	Voh	Vcc-1.1	Vcc-0.65	V	3, 4
	Low	Vol	Vcc-1.8	Vcc-1.3	V	3, 4
Output Voltage ( LPA )	High	Vofgh	Vcc-0.4	Vcc	V	3
	Low	Vofgl	0	0.40	V	3
Output Signal Rise / Fall Time (RD, RDb, 20% - 80%)	Trd/Tfd		130	180	ps	
Input Power Monitor Voltage	@-28dBm	Voil		0.04	V	
	@-8dBm	Voil		1.35	V	

1. 2488.32Mbps, PRBS 2^23-1 2. Output current is not included @Pin = -8dBm. 3. Vccd, Vcca = 5.0V, Tc = 25°C  
4. RI = 50Ω to Vcc-2V, Single end out.

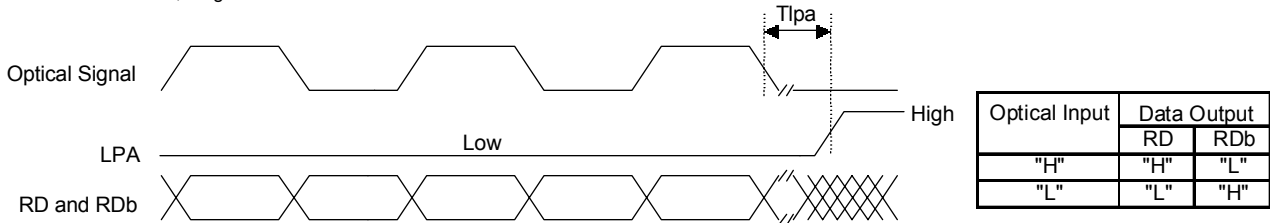


Figure 3 Output Timing Chart

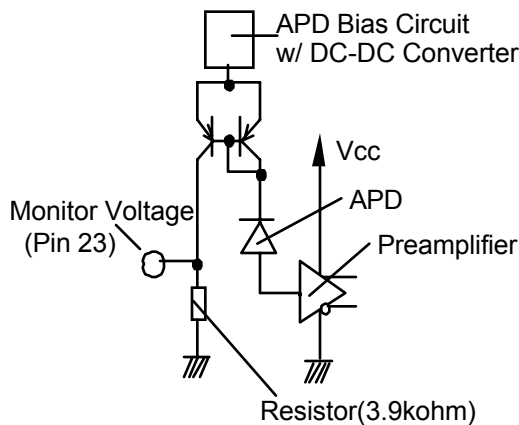


Figure 4 Input Power Monitoring Circuit

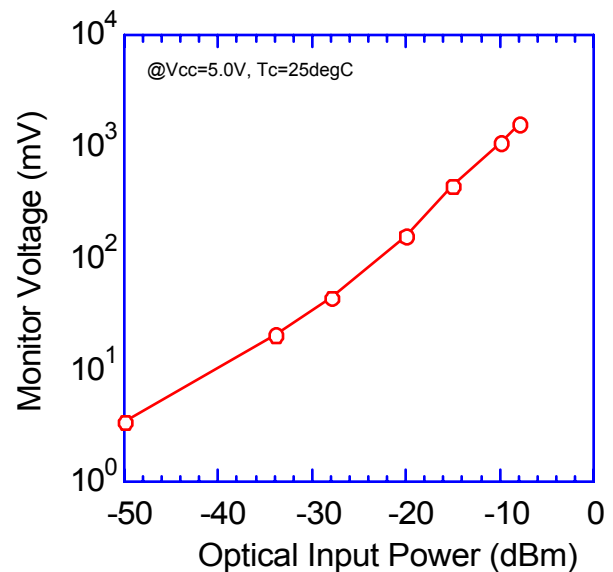


Figure 5 Change of Monitor Voltage in Optical Input Power

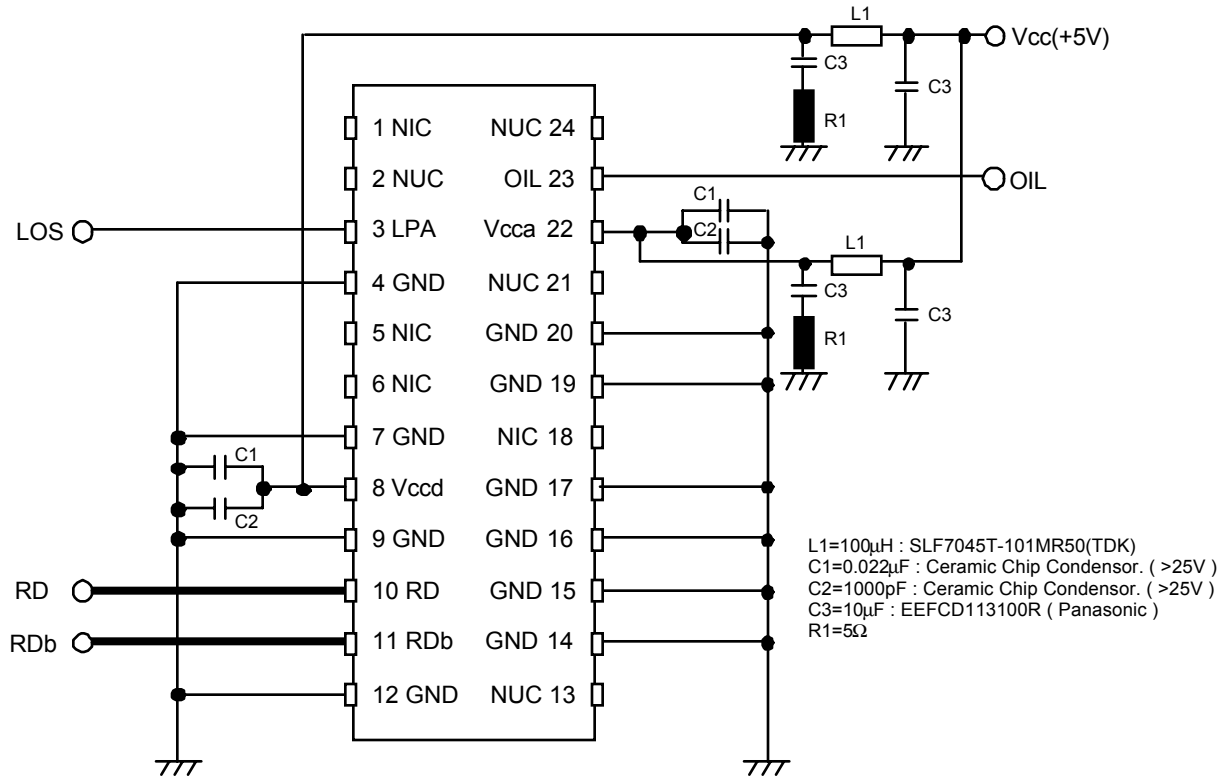
## 7. Optical Interface

( Unless otherwise specified, Vcca, Vccd = 4.75 to 5.25 V, @2488.32Mbps, PRBS2^23-1,50% duty and all operating temperature shall apply. )

Parameter	Symbol	Min.	Typ.	Max.	Unit	Note
Bit Rate Range		0.1		2.7	Gbps	
Center Wavelength Range	$\lambda_c$	1260		1360	nm	
		1430		1580		
Minimum Sensitivity	Pmin		-32.0	-28.0	dBm	1
Overload	Pmax	-8.0			dBm	1
LPA Deassert Level	Pa	-49.0	-33.0	-28.0	dBm	
LPA Assert Level	Pd	-49.0	-35.0	-28.0	dBm	
Hysteresis	Hys	0.5	2.0	6.0	dB	
LPA Deassertion Time	Tlpa	2.3		100	$\mu$ s	2
Optical Reflectance	Or			-27	dB	

1. BER = 10^-10 2. Refer to Figure 3

## 8. Recommended User Interface



1. Power supply filter should be located as close as possible to the lead pins of module.
2. The impedance of transmission line ( RD & RDb ) should be 50ohm.
3. Since the transmission line ( RD & RDb ) are open emitters, termination resistors ( 1/8W ) are necessary. Shown below is the recommendation.

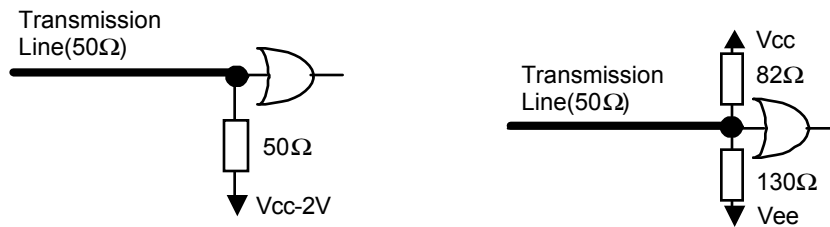


Figure 6 Recommended User Interface

## 9. Fiber Pigtail Specification

Parameter	Min.	Typ.	Max.	Unit	Note
Core Diameter		9.5		µm	
Cladding Diameter		125		µm	
Outer Diameter		0.9		mm	
Optical Cord Tensile Beak Strength			9.8	N	
Bend Radius	30			mm	

### ⚠ Caution

Do not give undue force or impact to the optical fiber pigtail. A broken optical fiber may injure skin or human body, or a strong laser beam may cause eye injury. Operate the equipment carefully. Use assisting tools or prospective aids as required.

## 10. Reliability Test (Plan)

Bellcore TA-NWT-000983 Issue 2, December 1993									
Heading	Test	Reference	Condition	Sampling			SEI Results		
				LTPD	SS	C	SS	F/C	
Mechanical Integrity	Mechanical Shock	MIL-STD-883 Method 2002	Condition B						
			5 times/axis	20%	11	0	11	0	
			1,500G, 0.5ms	20%	11	0	---	---	
	Vibration	MIL-STD-883 Method 2007	Condition A	20%	11	0	11	0	
			20 G						
			20-2,000 Hz						
		4 min/cycle; 4 cycles/axis							
Thermal Shock	MIL-STD-883 Method 1011	$\Delta T=100^{\circ}\text{C}$		20%	11	0	11	0	
Solderability	MIL-STD-883 Method 2003	(steam aging not required)		20%	11	0	11	0	
Fiber Pull			1 Kg; 3 times;5sec.	20%	11	0	---	---	
			2 Kg; 3 times; 5sec.	20%	11	0	---	---	
Endurance	Accel. Aging (High Temp.)	(R)-453 Section 5.18	+85°C; rated power						
			>5,000hrs.	---	25	---	25	0	
			>10,000hrs.	---	10	---	---	---	
	High Temp. Storage	-----	max. storage T (T=85°C)	>2,000	20%	11	0	---	---
	Low Temp. Storage	-----	min. storage T (T=-40°C)	>2,000	20%	11	0	11	0
Temperature Cycling	Section 5.20	- 40°C to +85°C	400 times pass/fail	20%	11	0	---	---	
			500 times for info.	---	11	---	---	---	
			500 times pass/fail	20%	11	0	11	0	
		1000 times for info.	---	11	---	11	0		
Damp Heat (if using epoxy)	MIL-STD-202 M103 or IEC 68-2-3	40°C , 95%, 56days or 85°C /85%RH 2,000hrs		20%	11	0	11	0	
				20%	11	0	---	---	
Cyclic Moisture Resistance	Section 5.23	-----		20%	11	0	11	0	
Special Tests	Internal Moisture	MIL-STD-883 Method 1018	< 5,000 ppm water vapor	20%	11	0	11	0	
	Flammability	TR357:Sec. 4.4.2.5	-----		---	---	---	OK	
ESD Threshold	Section 5.22	-----		---	6	---	6	0	

## 11. Ordering Information




Connector	Pigtail Length : mm	T <sub>c</sub> = 0 ~ 70°C
SC Connector	600 +/- 50	SDT9418-RC-QN
FC / PC Connector	600 +/- 50	SDT9418-RD-QN
FC / PC Connector	990 +/- 100	SDT9418-RD-YN
MU-J Connector (without a cover)	600 +/- 50	SDT9418-RM-QN
MU Connector (with a cover)	600 +/- 50	SDT9418-RU-QN



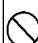
## 12. Other Precaution

Under such a strong vibration environment as in automobile, the performance and reliability are not guaranteed.

The governmental approval is required to export this product to other countries. To dispose of these components, the appropriate procedure should be taken to prevent illegal exportation.

This module must be handled, used and disposed of according to your company's safe working practice.

 <b>Warning</b>	
	Be sure to carry out correct soldering for connection to peripheral circuits in order to prevent contact failure or short-circuit. Otherwise, a strong laser beam may cause eye injury, overheating or fire.
	Do not put this product or components of this product into your mouth. This product contains material harmful to health.

 <b>Caution</b>	
	Be sure to turn power off when you touch this product connected to the printed circuit boards. Otherwise, electric shock may occur.
	Dispose this product or equipment including this product properly as an industrial waste according to the regulations.

## 13. For More Information

U.S.A.

ExcelLight Communications, 4021 Stirrup Creek Drive, Suite 200 Durham, NC 27703

Tel. +1-919-361-1600 / Fax. +1-919-361-1619

E-mail : [info@excelight.com](mailto:info@excelight.com)

<http://www.excelight.com>

Europe

Sumitomo Electric Europe Ltd., 220, Centennial Park, Elstree, Herts, WD6 3SL, United Kingdom

Tel. +44-208-953-8681

Fax. +44-208-207-5950

<http://www.sumielectric.com>

Japan

Sumitomo Electric Industries, Ltd. ( International Business Division ), 3-12, Moto-Akasaka 1-chome

Minato-ku Tokyo 107-8468

Tel. +81-3-3423-5771 / Fax. +81-3-3423-5099

E-mail : [product-info@ppd.sei.co.jp](mailto:product-info@ppd.sei.co.jp)

<http://www.sei.co.jp/Electro-optic/index.html>