

VERY HIGH ACCURACY MILLIVOLT OUTPUT PRESSURE TRANSDUCER

G 1/8 OR G 1/4 CONNECTIONS

PXM01 Series
mV/V Output
0-1 Bar to 400 Bar

Cable Model
 PXM01MD0-10BARGV
 Shown Smaller than
 Actual Size

\$699

Model Shown



- ✓ High Operating Temperature 163°C (325°F)
- ✓ FM Approved Intrinsically Safe
- ✓ 3 mV/V Output
- ✓ All Stainless Steel Construction
- ✓ Shunt Calibration for Fast System Set Up
- ✓ Stainless Steel Construction for Harsh Environments

OMEGA's PXM01 Series is a very high accuracy, 30 millivolt output, industrial pressure transducer. The all stainless steel construction makes it suitable for harsh industrial environments. FM approved intrinsically safe is standard. The PXM01 has a high operating range, a broad compensated range and excellent temperature compensation which gives stable readings in harsh applications. They are available in gauge, sealed or absolute models as well as bar or psi ranges. G-1/8 or G-1/4 pressure fittings are available as well as connector or cable electrical terminations.

SPECIFICATIONS:

mV/V OUTPUT

Excitation: 10 Vdc (15Vdc max)

Output: 3 mV/V ±0.25%

Input Resistance: 350 Ω ±10 Ω

Output Resistance: 350 Ω ±10 Ω

Zero Balance: 1.0% FS

Linearity: ±0.05% FS



micro DIN Connector Model
 PXM01MC6-10BARGV
 Shown Smaller than Actual Size

MOST POPULAR MODELS HIGHLIGHTED

To Order (Specify Model Number)			
Models with G 1/4 Female Pressure Connection, Cable or Connector & mV/V Output			
RANGE (Bar)	MODEL NUMBER	PRICE	COMPATIBLE METERS**
Gauge Pressure			
0-1	PXM01MD[*]-001BARGV	\$769	DP41-S, DP25B-S
0-1.6	PXM01MD[*]-1.60BARGV	699	DP41-S, DP25B-S
0-2.5	PXM01MD[*]-2.50BARGV	699	DP41-S, DP25B-S
0-4	PXM01MD[*]-004BARGV	699	DP41-S, DP25B-S
0-6	PXM01MD[*]-006BARGV	699	DP41-S, DP25B-S
0-10	PXM01MD[*]-010BARGV	699	DP41-S, DP25B-S
0-16	PXM01MD[*]-016BARGV	699	DP41-S, DP25B-S
0-25	PXM01MD[*]-025BARGV	699	DP41-S, DP25B-S
0-40	PXM01MD[*]-040BARGV	699	DP41-S, DP25B-S
0-60	PXM01MD[*]-060BARGV	699	DP41-S, DP25B-S
0-100	PXM01MD[*]-100BARGV	699	DP41-S, DP25B-S
0-160	PXM01MD[*]-160BARGV	699	DP41-S, DP25B-S
0-250	PXM01MD[*]-250BARGV	699	DP41-S, DP25B-S
0-400	PXM01MD[*]-400BARGV	699	DP41-S, DP25B-S

[*] = insert "0" for 3 m Cable or "6" for micro DIN connector

**See Section D for compatible Meters

To order Absolute Pressure replace "G" in model number with "A" (\$50 additional)

To order Sealed Gauge Pressure replace "G" in model number with "S" (no charge)

Ordering Examples:

1.) PXM01MD6-50BARSV is a 50 bar Sealed Gauge Pressure transducer with a

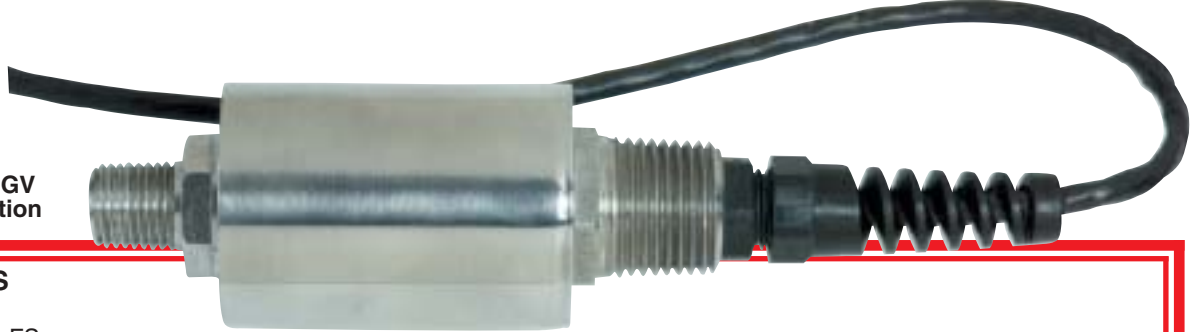
mV/V output, a G 1/4 female fitting, and a micro DIN Connector, \$699.

Mating Connector included.

2.) PXM01MC0-10BARAV is a 10 bar Absolute Pressure transducer with a mV/V output, a G 1/4 male fitting, and a 3 m cable with 1/2 NPT conduit fitting, \$699 + 50 = \$749.

Cable Style

Model
PXM01MC0-10BARGV
G 1/4 Male Connection



SPECIFICATIONS (CONT)

Hysteresis: ±0.05% FS

Repeatability: ±0.05% FS

Agency Approvals:
Standard FM Intrinsically
Safe IS/I.II.III/1/CDEFG

Shunt Calibration:

Value specified on Calibration sheet

Sensing Element: 4 active-arm
bridge, using thick film strain gauges
in a hermetically sealed chamber

Operating Temp Range:
-73 to 163°C (-100 to 325°F)

Compensated Temp Range:
16 to 71°C (60 to 160°F)

Thermal Effects:

Span: 0.0027% Rdg/°C

Zero: 0.0027% FS/°C

Proof Pressure: 150% of rated pressure

Burst Pressure: 300% of rated pressure

Wetted Parts: 17-4PH SS

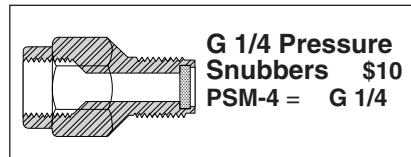
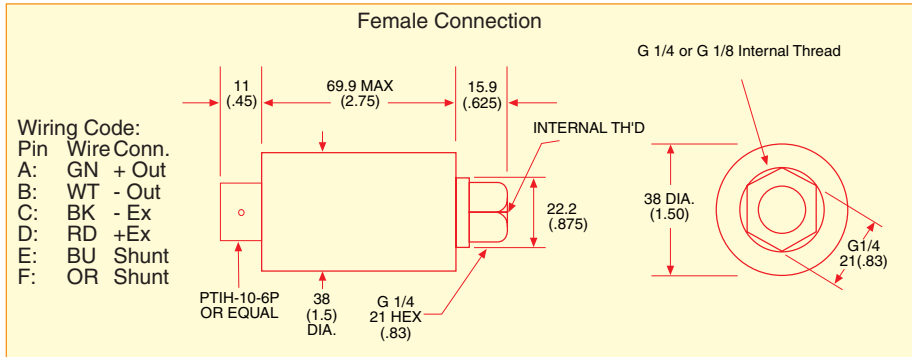
Pressure Port: G 1/4 Male/Female or
G 1/8 Male/Female

Electrical Connections:

Style 0 = 3 m cable

Style "6" = micro DIN

See Custom Configurations

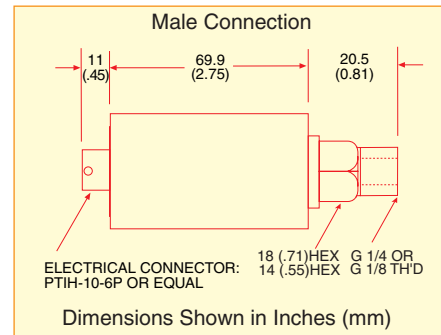


Mating Connector:

Style 1 = PT06F-10-6S (not included)

Style "6" = included

Weight: 170 g (6 oz)



CUSTOM CONFIGURATIONS

—MODEL NUMBER SPECIFICATION:
PXM01MD0-006BARGV

OPTION CODES (add to end of model number)

—OL (for overload stops)

—OX (cleaned for oxygen use)

—[]m (Optional cable length)

Example:

—12m = 12 metres total of cable)

OUTPUT: V = 3 mV/V nominal

5T = 0 to 5 Vdc

5Z = isolated to 0 to 5 Vdc

10T = 0 to 10 Vdc

I = 4 to 20 mA

UNITS (A = absolute, S = sealed gauge, G = gauge)

RANGE

ELECTRICAL CONNECTION:

0 = 3 m cable

1 = PTIH-10-6P connector or equiv.

5 = lightning protection amplifier box

(4-20 mA models only)

6 = micro DIN Connector*

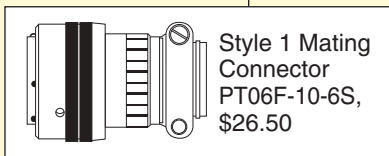
(*no shunt)

PRESSURE PORT: MA = G 1/8 male

MB = G 1/8 female

MC = G 1/4 male

MD = G 1/4 female - (std)



Ordering Examples:

1.) PXM01MA1-010BARGI is a 10 bar Gauge Pressure transducer with a G 1/8 Male fitting, a PTIH-10-6P Connector, and 4-20 mA output, \$925. Mating Connector (not included) order PT06F-10-6S, \$26.50.

2.) PXM01MB0-005BARS5Z is a 5 bar Sealed Gauge Pressure transducer with a G 1/8 Female fitting, a 3 m cable, and Isolated 0 to 5 Vdc output (\$133), \$855.

3.) PXM01MC1-001BARA5T is a 1 bar Absolute Pressure transducer with a G 1/4 Male fitting, PTIH-10-6P Connector, and 0 to 5 Vdc output, (+\$155) = \$1060. Mating Connector (not included) order PT06F-10-6S, \$26.50.