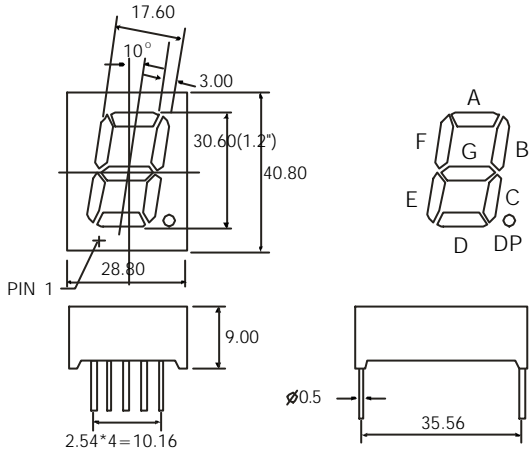
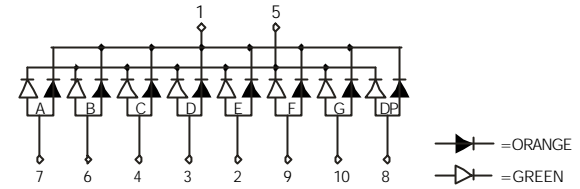


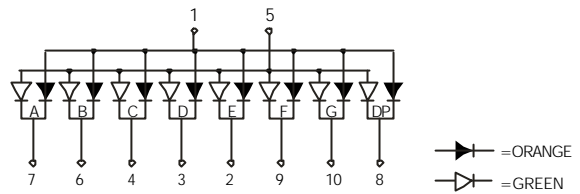
PackageDescription	PartNo.	C.C.orC.A.	Chip		Electro-opticalCharacteristics(Typ.)			FaceColor
			Material	EmittingColor	$\lambda$ P(nm)	$V_f$ Seg(V)	$I_v$ /Seg(mcd)	
					20mA	20mA	10mA	
1.2"(30.60mm)SingleDisplay	LSD120CEG-10	C.C.	GaAsP/GaP	Red	635	2.0	2.0	Black
			GaP	Green	570	2.2	1.0	



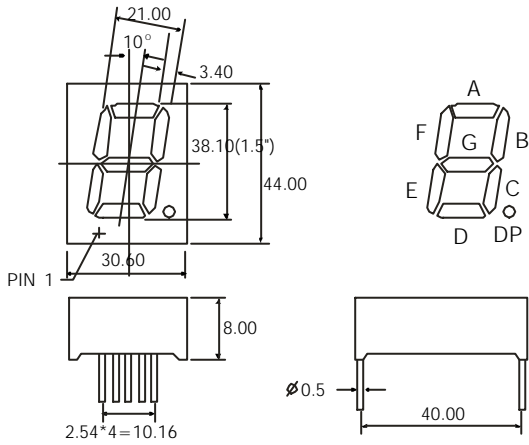
LSD120C



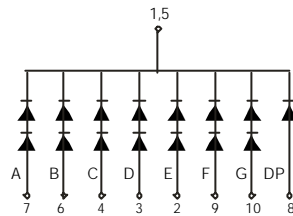
LSD120D



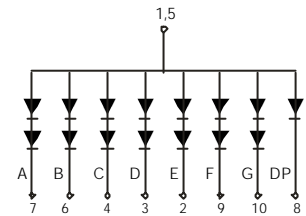
1.5"(38.10mm)SingleDisplay	LSD150AG-10	C.C.	GaP	Green	570	4.4	2.5	Black
	LSD150BSR-10	C.A.	GaAlAs	HighRed	660	3.6	4.5	Black



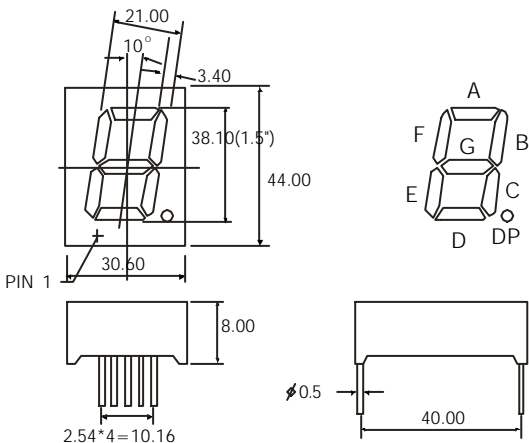
LSD150A



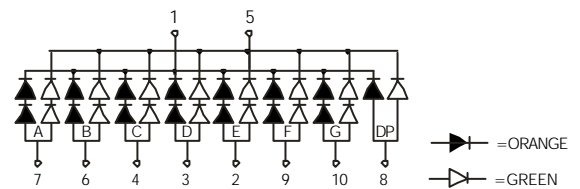
LSD150B



1.5"(38.10mm)SingleDisplay	LSD150AEG-10	C.C.	GaP	Red	635	4.0	3.5	Black
			GaAlAs	Green	570	4.4	2.5	Black



LSD150A



LSD150B

