

15 watts / 2" x 2" x 0.45" / 500Vdc isolation

YCL

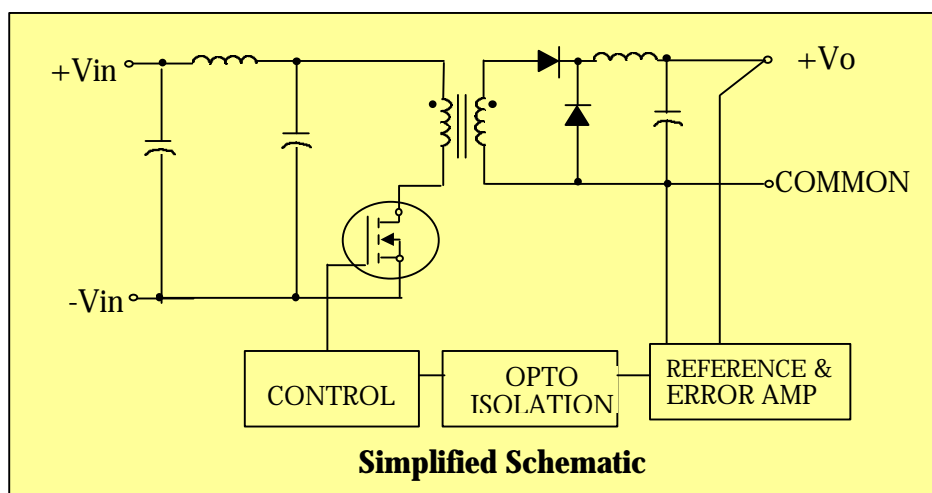
LE series / 4:1 input range

Feature:

- Low Cost
- 4:1 input range
- High efficiency
- Industry-standard package and pinout
- 500Vdc Input/Output Isolation
- On/Off control and Vout trim
- No External Components required

Specifications: At 25°C

Input Specifications:	General Specifications:
Input Voltage Range: See Table	Isolation Voltage: 500Vdc
Input Filter: Pi-type	Efficiency: see table
On/Off Control: TTL high(or open)=on TTL low=off	Switching Frequency: 100KHz typical
	Isolation Resistance: 1000M ohm
Output Specifications:	Environmental Specifications:
Output Voltage & Current: see table	Operating Temperature: -25 to + 71°C
Voltage Accuracy: $\pm 2\%$ max	Storage Temperature: -40 to +105°C
Line Regulation(at full load): $\pm 0.5\%$ max	Cooling: Free air convection
Load Regulation (at full load to 1/4 load): Single output: $\pm 1\%$ max Dual output: $\pm 2.5\%$ max	Derating: See Derating Curve
	Humidity Non-Condensing: 20 to 95% RH
	Physical Specifications:
Temperature Coefficient: $\pm 0.05\%/^{\circ}\text{C}$ max	Case Material: Black coated copper with non-conductive plastic base
Ripple & Noise(20Mhz BW): 1% p-p max	Pin Material: Brass, solder coated
Short Circuit Protection: Power fold back	Weight: 80grams typical
Over load protection: Build-in	



15 watts / 2" x 2" x 0.45" / 500Vdc isolation

YCL

LE series / 4:1 input range

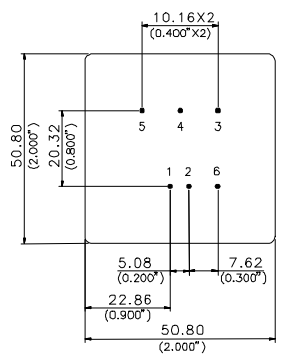
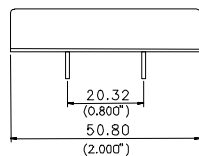
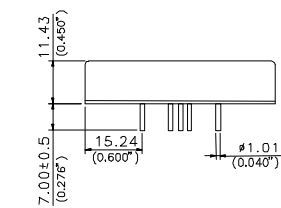
Model Selection Table:

Model no.	Input			Output		Efficiency Typical ^① %	Package	External Fuse ^② (A)
	Voltage (Vdc)	Current(mA)		Voltage (Vdc)	Current (mA)			
		No-Load	Full-Load					
LE301-412S05	9-36	28	1563	5	3000	80	LE	3/1.5
LE121-412S12	9-36	28	1563	12	1250	80	LE	3/1.5
LE101-412S15	9-36	28	1563	15	1000	80	LE	3/1.5
LE151-412D05	9-36	28	1524	±5	±1500	82	LE	3/1.5
LE625-412D12	9-36	28	1563	±12	±625	80	LE	3/1.5
LE500-412D15	9-36	28	1524	±15	±500	82	LE	3/1.5
LE301-424S05	20-72	26	781	5	3000	80	LE	1.5/1
LE121-424S12	20-72	26	753	12	1250	83	LE	1.5/1
LE101-424S15	20-72	26	753	15	1000	83	LE	1.5/1
LE151-424D05	20-72	26	781	±5	±1500	80	LE	1.5/1
LE625-424D12	20-72	26	753	±12	±625	83	LE	1.5/1
LE500-424D15	20-72	26	753	±15	±500	83	LE	1.5/1

①Efficiency is specified at nominal input voltage and full load.

②Certain applications may require the installation of external fuse in front of the input.

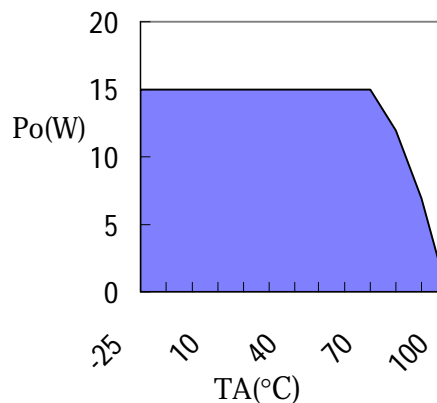
Package LE:



PIN	SINGLE	DUAL
1	+INPUT	+INPUT
2	-INPUT	-INPUT
3	-OUTPUT	-OUTPUT
4	TRIM	COMMON
5	+OUTPUT	+OUTPUT
6	ON/OFF	ON/OFF

PS:pin6th is optional.
Part no. suffix "E"

Power Derating Curve



Unit: mm(inch)±0.25(0.010)