

# Regulated, Programmable 15 Watt HV Modules

0 to + or - 300 through 0 to + or - 10,000 VDC @ 15 Watts  
H Series

www.emcohighvoltage.com

**EMCO**  
High Voltage Corporation



The H Series is a line of compact, regulated power supplies featuring 15 watts of continuous output power. This line features 0 to 100% programmability via a 0 to 5 volt

programming voltage. A 0 to 5 volt output voltage monitor is provided. Short circuit, arc, and reverse polarity protection are standard. Technical assistance is readily available.

## FEATURES

- 0 to 100% Programmability
- Output Voltage Monitor
- Short Circuit Protection
- Reverse Polarity Protection
- Arc Protection
- Low EMI / RFI
- Shielded Metal Case
- Input/Output Filtering

## OPTIONS

Mounting Holes  
( Add 'H' to end of model  
e.g. H10NH )

## APPLICATIONS

- Piezo devices
- HV op amp rails
- Ultrasonic transducers
- Lamp ignition & drive
- Electrophoresis
- Capacitor Charging
- General Lab Use

## PHYSICAL CHARACTERISTICS

CASE A: 3.0 (76.2) X 3.0 (76.2) X 0.90 (22.9)

WEIGHT: 10 Ounces (283.5 grams)

PINS: .04 (1.02) Dia., .30 (7.62) min length

CASE B: 3.25 (82.6) x 4.0 (101.6) x 1.10 (27.9)

WEIGHT: 18 Ounces (510.3 grams)

PINS: .04 (1.02) Dia., .20 (5.08) min length

PACKAGING: Fully Encapsulated

CASE MATERIAL: Black Anodized Aluminum

## ELECTRICAL SPECIFICATIONS

INPUT VOLTAGE: 24 Volts (-5%, +15%)

OUTPUT VOLTAGE: See Table

OUTPUT CURRENT: See Table

PROGRAMMING VOLTAGE: 0 to +5 Volts

REGULATION: Line: < 0.2%

Load: See Table

INPUT CURRENT: No Load: <0.5 Amps

Full Load: <1.5 Amps

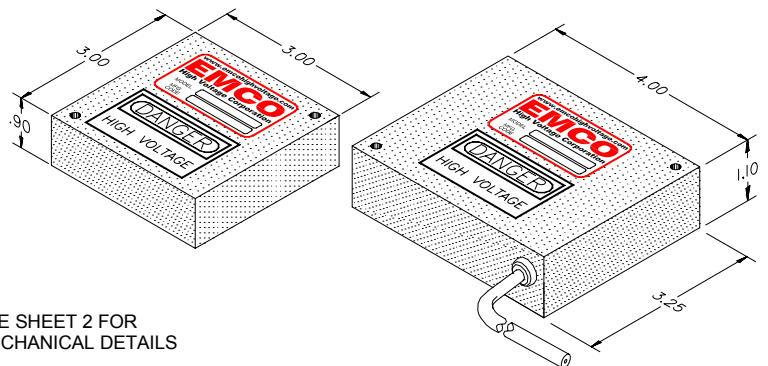
TEMPERATURE COEFFICIENT: < 200ppm/°C

RIPPLE: See Table

OPERATING TEMP: -10° to +50° C

STORAGE TEMP: -20° to +90° C

MODEL	OUTPUT VOLTAGE	OUTPUT CURRENT	RIPPLE	REGULATION (LOAD)	CASE SIZE
H03P	0 to +300	50 mA	<1.0%	<0.75%	A
H03N	0 to -300	50 mA	<1.0%	<0.75%	A
H05P	0 to +500	30 mA	<0.5%	<0.20%	A
H05N	0 to -500	30 mA	<0.5%	<0.20%	A
H10P	0 to +1,000	15 mA	<0.01%	<0.20%	A
H10N	0 to -1,000	15 mA	<0.01%	<0.20%	A
H15P	0 to +1,500	10 mA	<0.025%	<0.20%	A
H15N	0 to -1,500	10 mA	<0.01%	<0.20%	A
H20P	0 to +2,000	7.5 mA	<0.03%	<0.20%	A
H20N	0 to -2,000	7.5 mA	<0.03%	<0.20%	A
H30P	0 to +3,000	5 mA	<0.75%	<0.20%	A
H30N	0 to -3,000	5 mA	<1.0%	<0.20%	A
H40P	0 to +4,000	3.75 mA	<0.5%	<0.20%	A
H40N	0 to -4,000	3.75 mA	<0.5%	<0.20%	A
H50P	0 to +5,000	3 mA	<0.75%	<0.20%	A
H50N	0 to -5,000	3 mA	<0.75%	<0.20%	A
H60P	0 to +6,000	2.5 mA	<0.75%	<0.50%	A
H60N	0 to -6,000	2.5 mA	<0.75%	<0.20%	A
H101P	0 to +10,000	1.5 mA	<1.0%	<0.20%	B



SEE SHEET 2 FOR  
MECHANICAL DETAILS

Dimensions are in inches  
Dimensional Tolerances: ± .03 (.76mm)  
(Metric equivalents in parenthesis)

e-mail sales@emcohighvoltage.com  
Web site www.emcohighvoltage.com

Phone (209) 223-3626 Fax (209) 223-2779  
11126 Ridge Road, Sutter Creek CA 95685

We reserve the right to make changes without notification

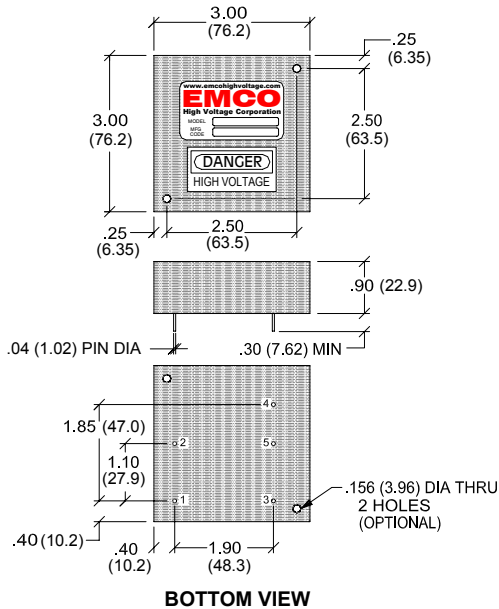
# Regulated, Programmable 15 Watt HV Modules

0 to + or - 300 through 0 to + or - 10,000 VDC @ 15 Watts  
H Series

www.emcohighvoltage.com

**EMCO**  
High Voltage Corporation

## CASE A

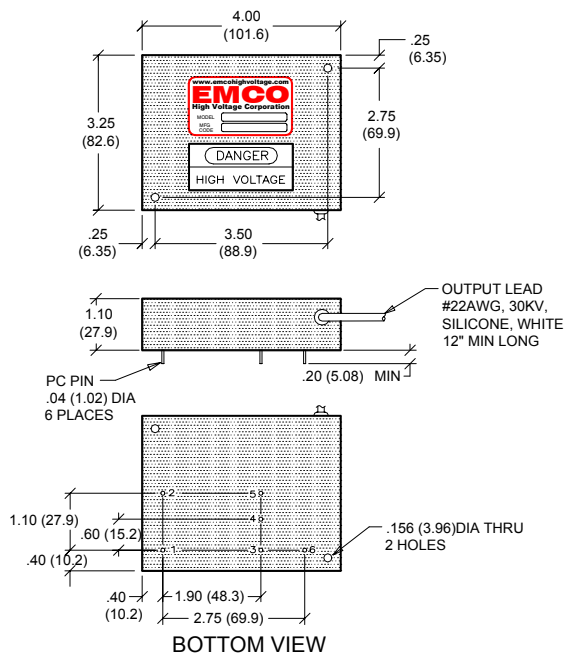


Pin #	Function
1	+24V Input
2	Ground
3	Programming Volts: 0 to +5V
4	High Voltage Output
5	Voltage Monitor: Positive Outputs: 0 to +5V = 0 to 100% V out Negative Outputs: 0 to -5V = 0 to 100% V out

Dimensions are in Inches  
Dimensional Tolerances:  $\pm 0.03$  (.76mm)  
(Metric equivalents in parenthesis)

NOTE:  
RUN SEPARATE GROUND PATHS FOR  
POWER AND SIGNAL GROUNDS.

## CASE B



Pin #	Function
1	+24V DC
2	Ground
3	Programming Volts: 0 to +5V
4	Programming Return
5	Voltage Monitor: 0 to 5V = 0 to 100% V out
6	Output Return

Dimensions are in Inches  
Dimensional Tolerances:  $\pm 0.03$  (.76mm)  
(Metric equivalents in parenthesis)

NOTE:  
RUN SEPARATE GROUND PATHS FOR  
POWER AND SIGNAL GROUNDS.

e-mail sales@emcohighvoltage.com  
Web site www.emcohighvoltage.com

Phone (209) 223-3626 Fax (209) 223-2779  
11126 Ridge Road, Sutter Creek CA 95685

We reserve the right to make changes without notification