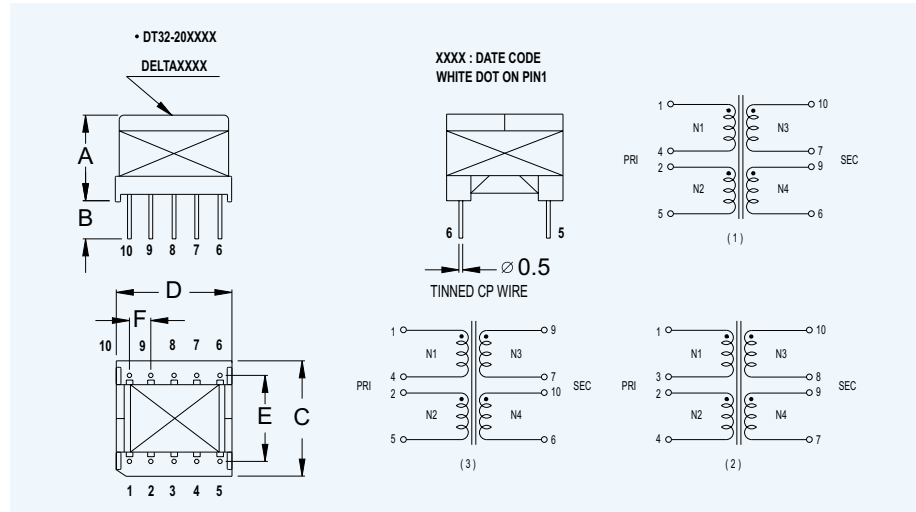




Telecommunication ADSL Transformer Transformers

DT32-2056AT



DIMENSIONS IN mm

A	B	C	D	E	F	G
12.7 MAX.	2.79 MIN.	14.0 MAX.	14.0 MAX.	10.16±0.3	2.54±0.3	

ELECTRICAL CHARACTERISTICS	
T.R	(N1:N3): 1.444:1±1% (N4:N3): 2.888:1±1% (N1:N2): 1:1±1%
L	N3: 55uH±10% @10KHz 0.1V
L.K	N4: 8.0uH Typ. @100KHz 0.1V
D.C.R	N1: 0.49Ω±10% N2: 0.49Ω±10% N3: 0.30Ω±10% N4: 0.89Ω±10%
HI-POT	1500 VAC 2 SEC
C	-----
I.L	0.5dB Max. @100KHz
L.B	60dB Min. @35KHz~650KHz
FR	-----
R.L	-----
T.H.D	-80dB Max. @100KHz 15Vp-p
Schematic	1

DELTA ELECTRONICS, INC.

(TAOYUAN PLANT CPBG) 31-1, SHIEN PAN ROAD, KUEI SAN INDUSTRIAL ZONE, TAOYUAN SHIEN, TAIWAN, R.O.C.

TEL: 886-3-3626301 FAX: 886-3-3618901

http://www.deltaww.com