

Isolator Microstrip Model: DSM1062-A

Application - DEFENSE

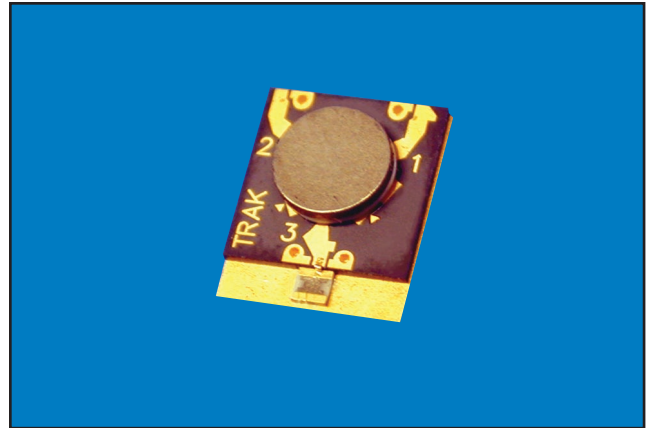
- ◆ Airborne Radar
- ◆ Solid State Amplifier

Benefits

- ◆ Low Mass
- ◆ Broad Bandwidth
- ◆ Low Loss
- ◆ Wide Temperature Range
- ◆ Reliable Performance
- ◆ 10 W Peak Power

Features

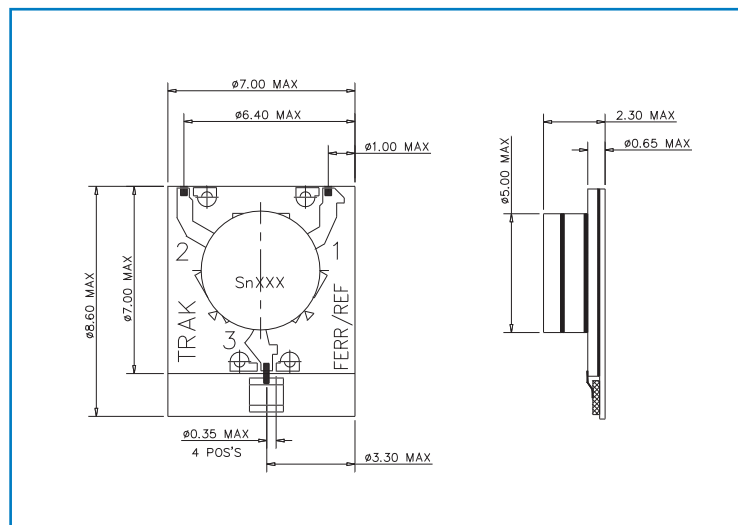
- ◆ Few Piece Parts
- ◆ Suitable for Inclusion in Hybrid Systems
- ◆ Space and Commercial Grades Available
- ◆ Options: Single/Dual Junction, CW/CCW Orientation, Bandwidth



Specifications

Parameter	Specification			Unit	Parameter	Specification			Unit
	Min	Typ	Max			Min	Typ	Max	
Frequency	8500 - 10500			MHz					
	Min	Typ	Max		Operating Temp.	-10	-	+60	°C
Isolation	15	20	-	dB	Forward Power	-	-	4	W
Insertion Loss	-	0.35	0.6	dB	Reverse Power	-	-	2	W
Return Loss	15	20	-	dB	Interface	Wire/Ribbon Bonding			-

Drawing



Dimensions: mm



TRAK Microwave Limited
 Dunsinane Avenue, Dundee, Scotland DD2 3QF
 Phone: +44 (0)1382 427 200 ◆ Fax: +44 (0)1382 833 599
 E-mail: trakeurope@trak.com ◆ www.trak.com

