

# High Isolation DC-DC Converters / DCI Dual Output

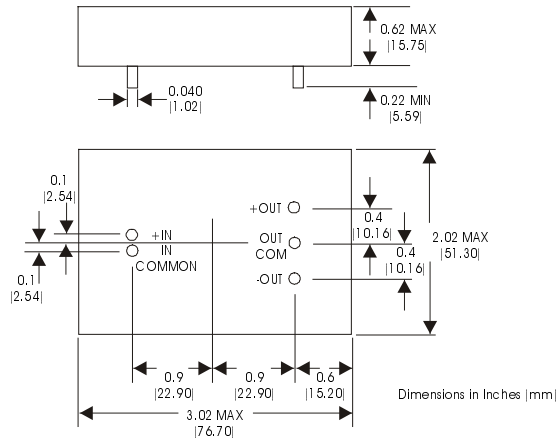


Specifications Typical  
at +25°C

MODEL DCI	MODELS			
	12/12/60 5/15/60	12/12/60 12/15/60	24/12/60 24/15/60	28/12/60 28/15/60
Input Voltage	5 ±0.5VDC	12 +3.0VDC -1.2VDC	24 ±2.4VDC	28±2.8VDC
Input Current NL/FL	125mA/670mA	50mA/275mA	25mA/150mA	20mA/120mA
Input Capacitance	5pF	5pF	5pF	5pF
Input/Output Isolation Impedance Voltage	11 <sup>11</sup> Ω    5pF 8000VDC			
Output Voltage	±12VDC or ±15VDC ± 2%			
Output Current @FL	±60mA			
Output Ripple	11mV typ., 35mV max.			
Reflected Input Ripple Current	10% of I <sub>IN,FL</sub> peak-to-peak			
Regulation Line/Load Vs. Temperature	.05%/ .05% .01%/°C			
Short Circuit Duration	90mA / 8 hours min.			
Settling Time to 0.1% NL - FL	50μS			
Temperature Range Operating/Storage	-25°C to +71°C / -25°C to +85°C			
Case Material	Phenolic			
Mating Socket	S133			
Weight	4¼ oz (120g)			

INPUT: 5, 12, 24, 28VDC  
OUTPUT: ±12, ±15VDC

- Meets UL344 Leakage
- High Input/Output Isolation
- Short Circuit Current Limit
- No Heat Sink Required
- Excellent Regulation: 0.05%  
Line/Load



# 12 Watt High Isolation DC-DC Converters / DCWI Dual Output

INPUT: 12, 24VDC  
OUTPUT: ±12, ±15VDC

- Wide 2:1 Input Range
- Meets UL544 Leakage
- 5000VDC Isolation
- Floating Power Outputs
- Low Noise