



15301 West 109<sup>th</sup> St, Lenexa, KS 66219

**INCORPORATED** 913-982-5672 913-982-5766 Fax

**DCI10032A** 100 dots x 32 dots

1/32DUTY, 1/7BIAS

**PINOUT (Drivers/Controllers NJU6450A)**

PIN	SYMBOL	SIGNAL DESCRIPTION
1	Vss	GND
2	Vdd	Power Supply
3	Vee	Power Supply for LCD
4	A0	H: Display data, L: Instruction
5	R/W	Read/Write Read when "H", Write when "L"
6	E1	Enable for IC1
7	E2	Enable for IC2
8	NC	No connection
9 to 16	DB0 to DB7	Data Bus for 8bit Mode
17	A	Anode of LED Unit
18	K	Cathode of LED Unit

**ABSOLUTE MAXIMUM RATINGS**

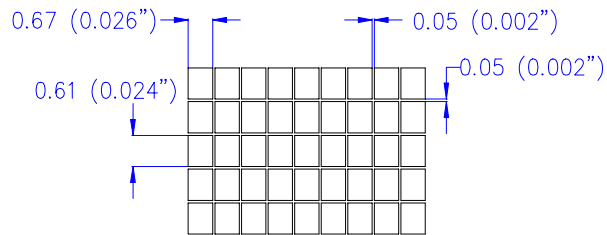
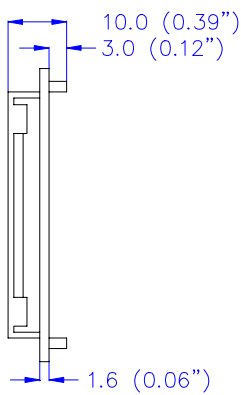
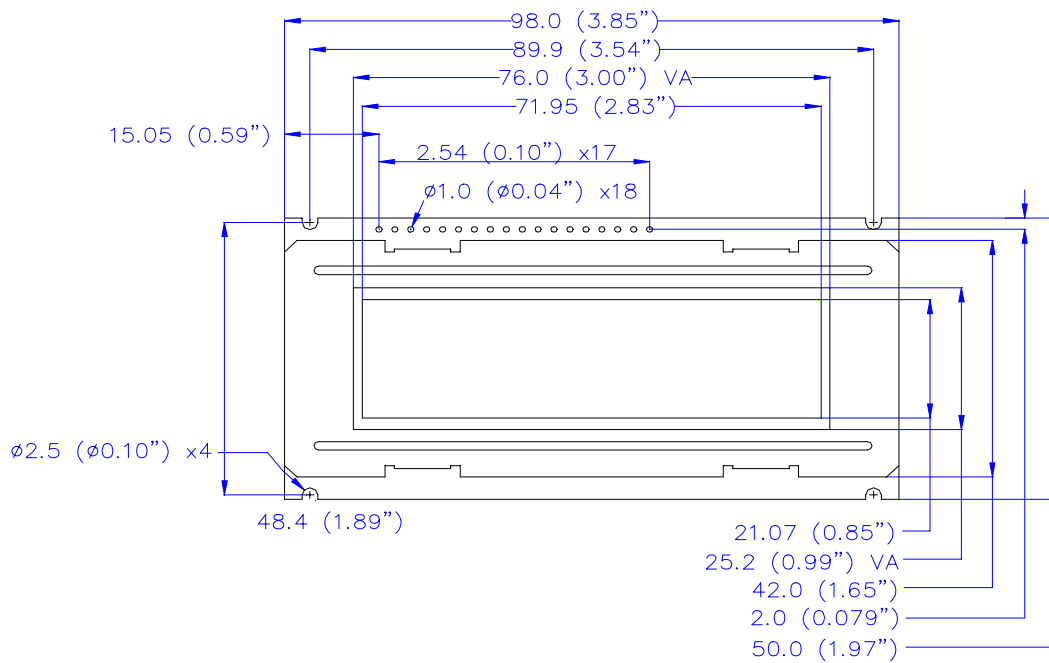
PARAMETER	MIN.	TYP.	MAX.	UNIT
Supply Voltage	-0.3	N/A	7.0	V
LCD Supply Voltage	Vdd-13.5	N/A	0	V
Input Voltage	-0.3	N/A	Vdd	V
Operating Temperature	0	N/A	50	°C
Storage Temperature	-20	N/A	70	°C

**ELECTRICAL CHARACTERISTICS (@ 25°C)**

ITEM	CONDITION	MIN.	TYP.	MAX.	UNIT
Supply Voltage (logic)	-	4.5	5.0	5.5	V
Supply Current (logic)	Vdd=5.0	-	1.47	-	mA
Driving Current(LCD)	Vee=-4.2	-	1.46	-	mA
Driving Voltage(LCD)	25••	-	9.2	-	V
Input Voltage—H	H	0.8Vdd	-	Vdd	V
Input Voltage—L	L	Vss	-	0.8	V
Output Voltage—H	H	2.4	-	-	V
Output Voltage—L	L	-	-	0.4	V

**BACKLIGHT CHARACTERISTICS (@ 25°C)**

PARAMETER	CONDITION	MIN	TYP.	MAX.	UNIT
Supply Voltage	-	-	4.1	-	V
LED Forward Consumption Current	@ 25°C Vf=4.1V	-	210	-	mA
LED Allowable Dissipation	-	-	880	-	mW



**MECHANICAL DATA 100X32A**

\* Module thickness with backlight 15.0 mm

ITEM	SPECIFICATION	MM(IN)
Module Size (WxHxT)	98.0x50.0x10.0 (3.85"x1.97"x0.39")	mm(in)
Viewing Area (WxH)	76.0x25.2 (3.00"x0.99")	mm(in)
Number of Dots (WxH)	100x32	dots
Dot Pitch (WxH)	0.72x0.66 (0.028"x0.025")	mm(in)
Dot Size (WxH)	0.67x0.61 (0.026"x0.024")	mm(in)