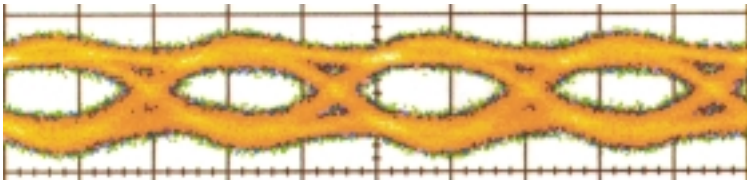


DSC-R404 40 GHz Bandwidth Optical Receiver

Description:

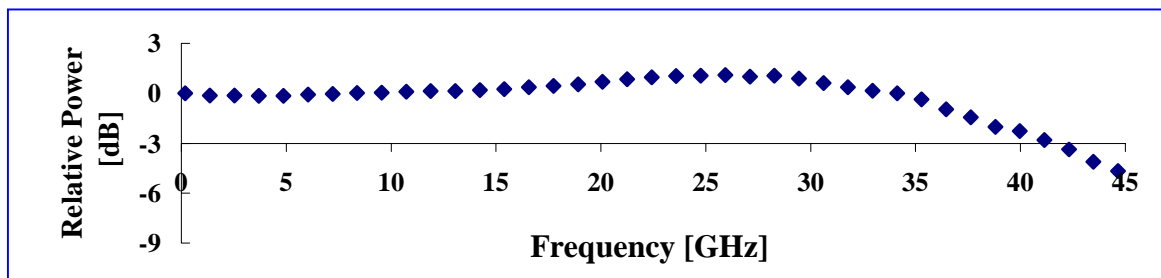
Broadband optical receiver for 40 Gbits/s clock recovery and RF over fiber from L to Q/V bands. This receiver offers conversion gain of 25 V/W and low electrical return loss. The eye diagram below shows 40 Gbit/s NRZ data generated with PRBS of $2^{23}-1$.



Features:

- Ultra wide bandwidth: 5 MHz to 40 GHz
- Small foot print miniature package
- Hermetically sealed and built following GR-468 standards
- Low electrical return loss: no bias tee or attenuator needed

Typical Frequency Response Curve



Specifications:

Parameter	Min.	Typ.	Max.	Units
Responsivity @ 1.55um	0.3	0.4		A/W
Conversion Gain @ 1.55um		25		V/W
Power Gain	7	8		dB
Equiv. Transimpedance		70		Ω
Gain Flatness (from mean)		+/-2		dB
Bandwidth (1.55 um)	32	40		GHz
Lower Limit		5		MHz
Noise		25		pA/ $\sqrt{\text{Hz}}$
Bias Voltage V_{dd}	3	5		V
Bias Voltage V_{ss}		-0.5		V
Power Dissipation		300		mW
Electrical Return Loss		7		dB
Optical Return Loss	-25	-30		dB
Wavelength response	0.8		1.6	um

Options:

Optical Input:

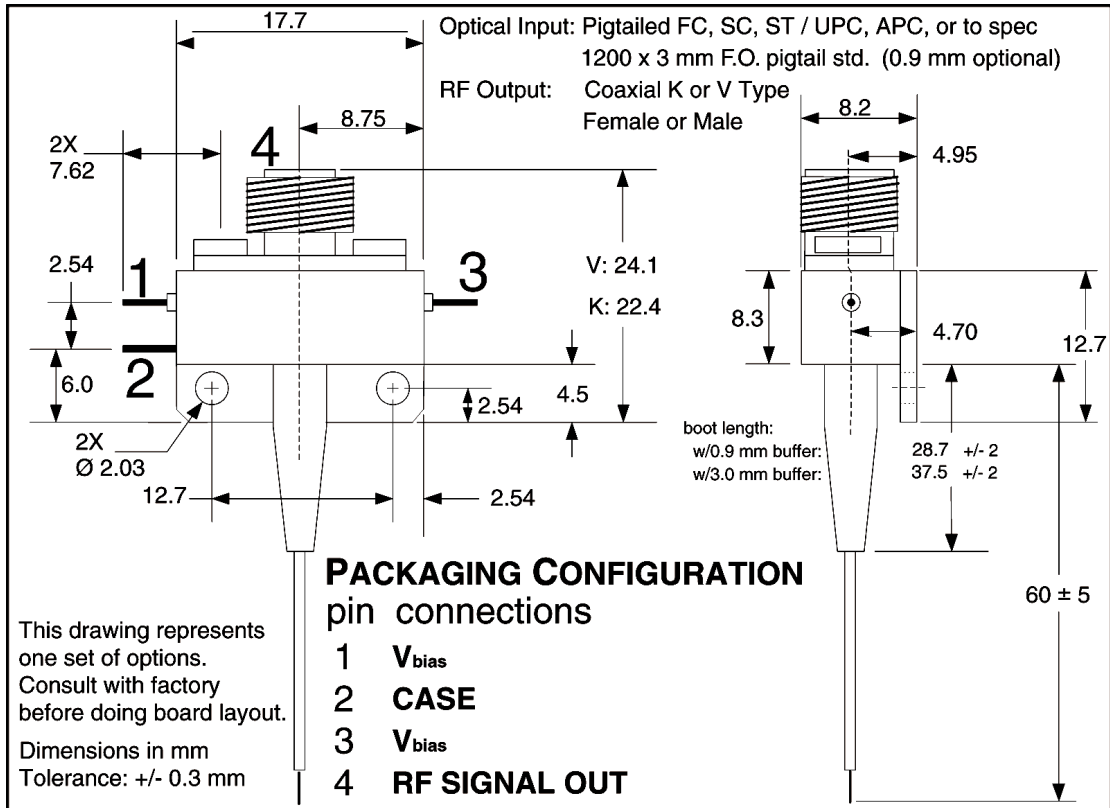
Pigtail:	1 m Single-Mode fiber
Fiber buffer:	3 mm std. 0.9 mm buffer dia.
Connector:	FC, SC, ST, others by request
Finish:	UPC, APC (UPC compatible w/PC)

RF Output:

Connector:	V connector
Coupling:	AC

R404e 0600

PACKAGING CONFIGURATION for R404



Specifications are subject to change without notice.

PIN 1: +5 Volts
 PIN 3: -0.5 Volts

186 Princeton-Hightstown Rd. Bldg. 3A Princeton Jct. NJ 08550 USA
Phone: (609) 275-0011 Fax: (609) 275-4848 www.chipsat.com sales@chipsat.com