



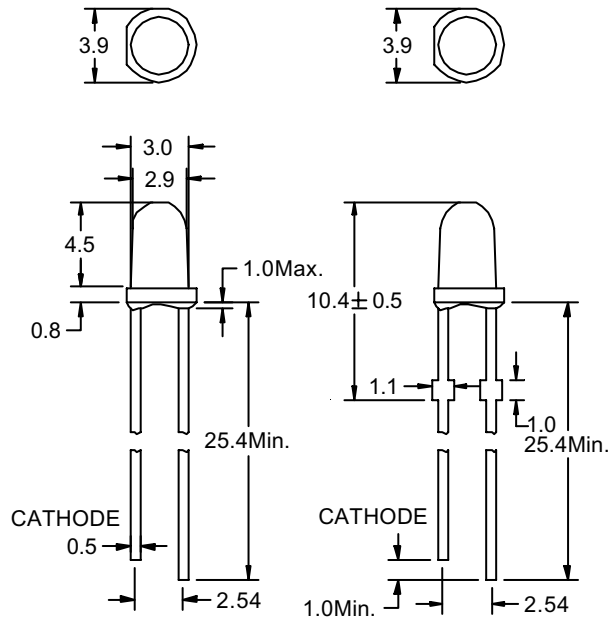
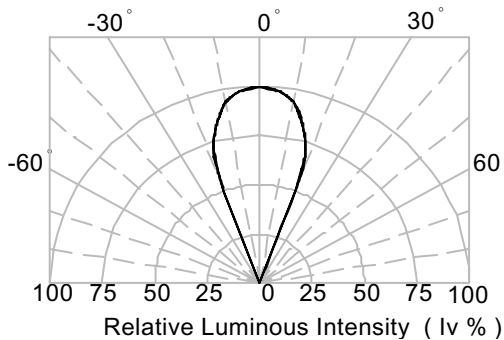
## BVU-3R0RD4

## PACKAGE CONFIGURATION

### DESCRIPTION

Dice Material : GaAlAs/GaAs Red  
Light Color : Red Color  
Lens Color : Water Transparent  
Stand-Off P/N : BVU-3R0RD4 R

### RADIATION PATTERN



Tolerance  $\pm 0.25$  mm

### ABSOLUTE MAXIMUM RATINGS AT Ta = 25 °C

PARAMETER	MAX.	UNIT
Power Dissipation	100	mW
Continuous Forward Current	40	mA
Peak Forward Current ( 1/10 Duty Cycle , 0.1ms Pulse Width )	200	mA
Reverse Voltage	5	V
Derating Linear From 50 °C	0.4	mA/°C
Operating Temperature Range	-40 °C to + 100 °C	
Storage Temperature Range	-40 °C to + 100 °C	
Lead Solder Temperature 1.6 mm Below Package 260 °C for 5 seconds		

### ELECTRICAL / OPTICAL CHARACTERISTICS AT Ta = 25 °C

SYMBOL	PARAMETER	TEST COND.	MIN.	TYP.	MAX.	UNIT
V F	Forward Voltage	I F = 20 mA		1.9	2.2	V
I R	Reverse Current	V R = 5V			100	$\mu$ A
$\lambda$ p	Peak Emission Wavelength	I F = 20 mA		660		n m
$\lambda$ d	Dominant Wavelength	I F = 20 mA		643		n m
2 $\theta$ 1/2	Viewing Angle	I F = 20 mA		40		Deg

### BIN GRADE LIMITS ( I F = 20 mA ) LUMINOUS INTENSITY / mcd

Bin	B	C	D	E	F	G
Min.	130	168	218	280	360	465
Max.	168	218	280	360	465	600

Tolerance  $\pm 15\%$ mcd

\*Bright View reserves the rights to alter specifications and remove availability of products at any time without notice.

\*Dominant Wavelength,  $\lambda$  d is according to CIE Chromaticity Diagram base on color of lamps.

\*  $\theta$  1/2 is the off-axis angle where the luminous intensity is one half the on-axis intensity.