



BVU-3Q0RS4

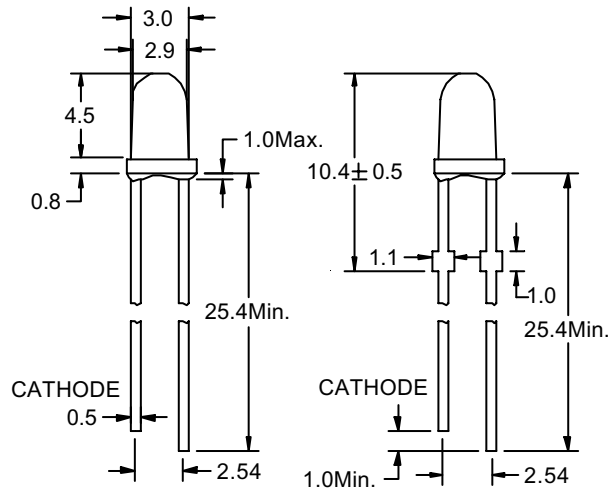
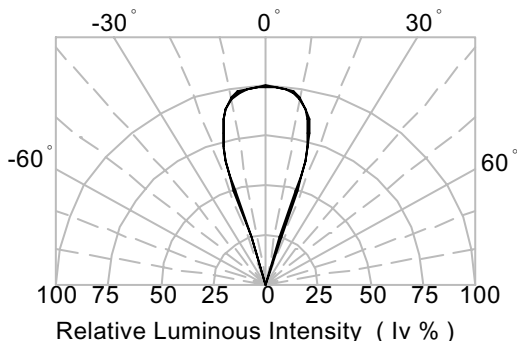
PACKAGE CONFIGURATION

DESCRIPTION

Dice Material : GaAlAs/GaAs Red
 Light Color : Red Color
 Lens Color : Water Transparent
 Stand-Off P/N : BVU-3Q0RS4 R



RADIATION PATTERN



Tolerance ± 0.25 mm

ABSOLUTE MAXIMUM RATINGS AT Ta = 25 °C

PARAMETER	MAX.	UNIT
Power Dissipation	100	mW
Continuous Forward Current	40	mA
Peak Forward Current (1/10 Duty Cycle , 0.1ms Pulse Width)	200	mA
Reverse Voltage	5	V
Derating Linear From 50 °C	0.4	mA/°C
Operating Temperature Range	-40 °C to + 100 °C	
Storage Temperature Range	-40 °C to + 100 °C	
Lead Solder Temperature 1.6 mm Below Package	260 °C for 5 seconds	

ELECTRICAL / OPTICAL CHARACTERISTICS AT Ta = 25 °C

SYMBOL	PARAMETER	TEST COND.	MIN.	TYP.	MAX.	UNIT
V _F	Forward Voltage	I _F = 20 mA		1.9	2.2	V
I _R	Reverse Current	V _R = 5V			100	μA
λ _p	Peak Emission Wavelength	I _F = 20 mA		660		nm
λ _d	Dominant Wavelength	I _F = 20 mA		643		nm
2θ _{1/2}	Viewing Angle	I _F = 20 mA		38		Deg

BIN GRADE LIMITS (I F = 20 mA) LUMINOUS INTENSITY / mcd

Bin	z	A	B	C	D	E
Min.	78	100	130	168	218	280
Max.	100	130	168	218	280	360

Tolerance ± 15% mcd

*Bright View reserves the rights to alter specifications and remove availability of products at any time without notice.

*Dominant Wavelength, λ_d is according to CIE Chromaticity Diagram base on color of lamps.

*θ_{1/2} is the off-axis angle where the luminous intensity is one half the on-axis intensity.