

**BVU-5K3QH8#
BVT-5K3QH8#**

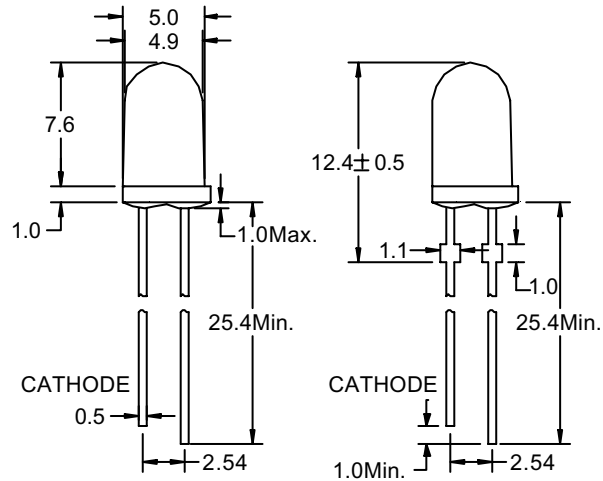
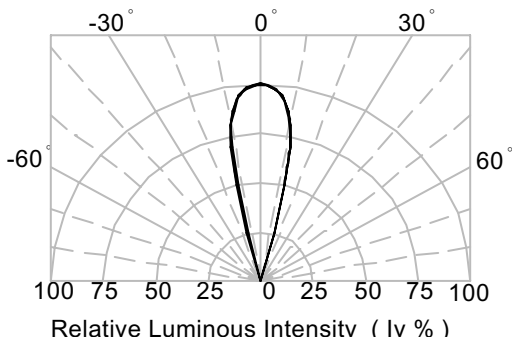
PACKAGE CONFIGURATION

DESCRIPTION

Dice Material : AlGaInP/GaAs Orange Red
Light Color : Orange Red Color
Lens Color : Red Tinted Transparent
Stand-Off P/N : BVU-5K3QH8# R



RADIATION PATTERN



Tolerance ± 0.25 mm

ABSOLUTE MAXIMUM RATINGS AT Ta = 25 °C

PARAMETER	MAX.	UNIT
Power Dissipation	75	mW
Continuous Forward Current	30	mA
Peak Forward Current (1/10 Duty Cycle , 0.1ms Pulse Width)	160	mA
Reverse Voltage	5	V
Derating Linear From 50 °C	0.4	mA/°C
Operating Temperature Range	-40 °C to + 100 °C	
Storage Temperature Range	-40 °C to + 100 °C	
Lead Solder Temperature 1.6 mm Below Package 260 °C for 5 seconds		

ELECTRICAL / OPTICAL CHARACTERISTICS AT Ta = 25 °C

SYMBOL	PARAMETER	TEST COND.	MIN.	TYP.	MAX.	UNIT
V _F	Forward Voltage	I _F = 20 mA		1.8	2.4	V
I _R	Reverse Current	V _R = 5V			100	μA
λ _p	Peak Emission Wavelength	I _F = 20 mA		630		nm
λ _d	Dominant Wavelength	I _F = 20 mA		626		nm
2θ _{1/2}	Viewing Angle	I _F = 20 mA		25		Deg

BIN GRADE LIMITS (I_F = 20 mA) LUMINOUS INTENSITY / mcd

Device	□ BVU-5K3QH8D			□ BVU-5K3QH8E			□ BVU-5K3QH8F			□ BVU-5K3QH8G		
Bin	E	F	G	H	I	J	K	L	M	N	O	P
Min.	280	360	465	600	780	1000	1300	1680	2180	2800	3600	4650
Max.	360	465	600	780	1000	1300	1680	2180	2800	3600	4650	6000

Tolerance ± 15% mcd

*Bright View reserves the rights to alter specifications and remove availability of products at any time without notice.

*Dominant Wavelength, λ_d is according to CIE Chromaticity Diagram base on color of lamps.

*θ_{1/2} is the off-axis angle where the luminous intensity is one half the on-axis intensity.