

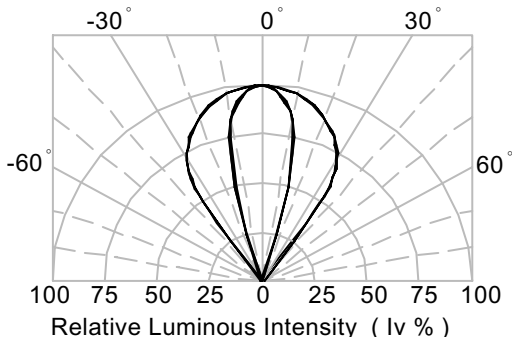


**BVU-529TT4#
BVT-529TT4#**

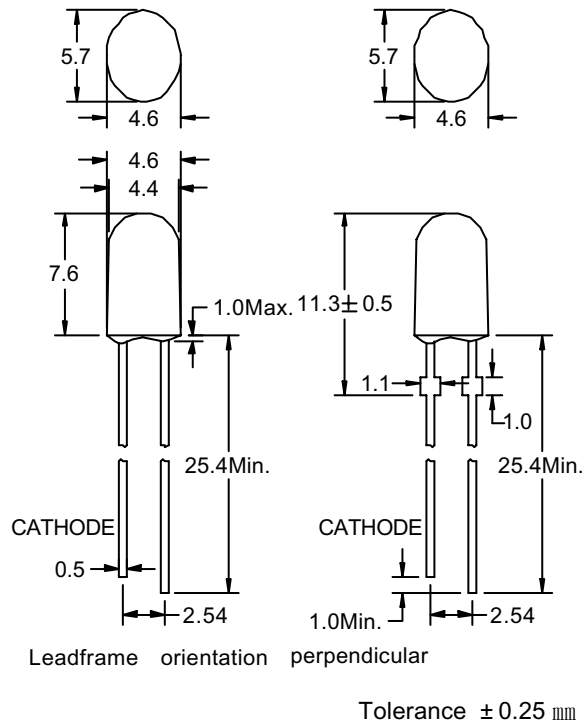
DESCRIPTION

Dice Material : AllnGaP/GaP Yellow
Light Color : Yellow Color
Lens Color : Water Transparent
Stand-Off P/N : BVU-529TT4# R

RADIATION PATTERN



PACKAGE CONFIGURATION



ABSOLUTE MAXIMUM RATINGS AT Ta = 25 °C

PARAMETER	MAX.	UNIT
Power Dissipation	80	mW
Continuous Forward Current	30	mA
Peak Forward Current (1/10 Duty Cycle , 0.1ms Pulse Width)	160	mA
Reverse Voltage	5	V
Derating Linear From 50 °C	0.4	mA/°C
Operating Temperature Range	-40 °C to + 100 °C	
Storage Temperature Range	-40 °C to + 100 °C	
Lead Solder Temperature 1.6 mm Below Package 260 °C for 5 seconds		

ELECTRICAL / OPTICAL CHARACTERISTICS AT Ta = 25 °C

SYMBOL	PARAMETER	TEST COND.	MIN.	TYP.	MAX.	UNIT
V _F	Forward Voltage	I _F = 20 mA		2.3	2.8	V
I _R	Reverse Current	V _R = 5V			100	μA
λ _p	Peak Emission Wavelength	I _F = 20 mA		592		nm
λ _d	Dominant Wavelength	I _F = 20 mA		590		nm
2θ _{1/2}	Viewing Angle	I _F = 20 mA		70/30		Deg

BIN GRADE LIMITS (I_F = 20 mA) LUMINOUS INTENSITY / mcd

Device	<input type="checkbox"/> BVU-529TT4D			<input type="checkbox"/> BVU-529TT4E			<input type="checkbox"/> BVU-529TT4F			<input type="checkbox"/> BVU-529TT4G			
	Bin	I	J	K	L	M	N	O	P	Q	R	S	T
Min.	780	1000	1300	1680	2180	2800	3600	4650	6000	7800	10000	13000	16800
Max.	1000	1300	1680	2180	2800	3600	4650	6000	7800	10000	13000	16800	16800

Tolerance ± 15% mcd

*Bright View reserves the rights to alter specifications and remove availability of products at any time without notice.

*Dominant Wavelength, λ_d is according to CIE Chromaticity Diagram base on color of lamps.

*θ_{1/2} is the off-axis angle where the luminous intensity is one half the on-axis intensity.