

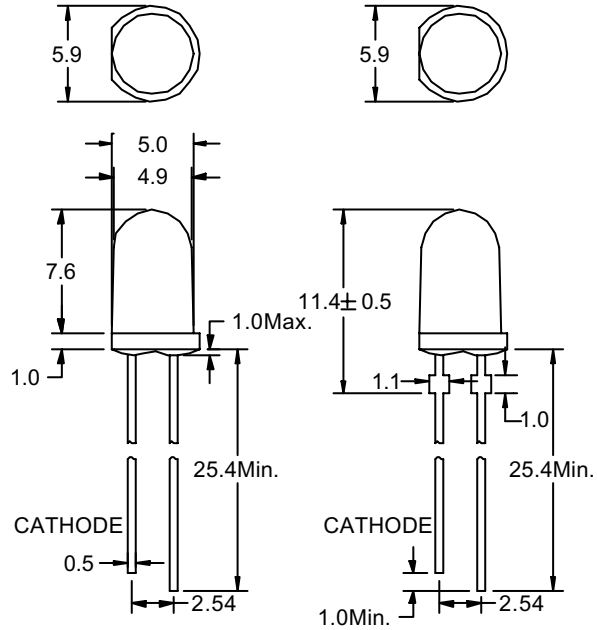
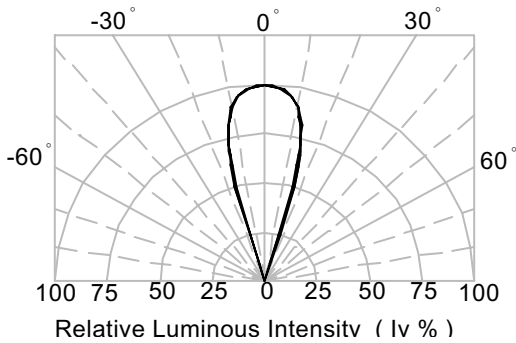
BVU-5P6BA4#

PACKAGE CONFIGURATION

DESCRIPTION

Dice Material : GaN Blue
Light Color : Blue Color
Lens Color : Water Transparent
Stand-Off P/N : BVU-5P6BA4# R

RADIATION PATTERN



Tolerance ± 0.25 mm

ABSOLUTE MAXIMUM RATINGS AT Ta = 25 °C

PARAMETER	MAX.	UNIT
Power Dissipation	120	mW
Continuous Forward Current	30	mA
Peak Forward Current (1/10 Duty Cycle , 0.1ms Pulse Width)	100	mA
Reverse Voltage	5	V
Derating Linear From 50 °C	0.4	mA/°C
Operating Temperature Range	-40 °C to + 100 °C	
Storage Temperature Range	-40 °C to + 100 °C	
Lead Solder Temperature 1.6 mm Below Package 260 °C for 5 seconds		

ELECTRICAL / OPTICAL CHARACTERISTICS AT Ta = 25 °C

SYMBOL	PARAMETER	TEST COND.	MIN.	TYP.	MAX.	UNIT
V F	Forward Voltage	I F = 20 mA		3.4	4.0	V
I R	Reverse Current	V R = 5V			10	μA
λ p	Peak Emission Wavelength	I F = 20 mA		465		nm
λ d	Dominant Wavelength	I F = 20 mA		470		nm
2 θ 1/2	Viewing Angle	I F = 20 mA		35		Deg

BIN GRADE LIMITS (I F = 20 mA) LUMINOUS INTENSITY / mcd

Device	<input type="checkbox"/> BVU-5P6BA4A	<input type="checkbox"/> BVU-5P6BA4B	<input type="checkbox"/> BVU-5P6BA4C	<input type="checkbox"/> BVU-5P6BA4D
Bin	F G H	I J K	L M N	O P Q
Min.	360 465 600	780 1000 1300	1680 2180 2800	3600 4650 6000
Max.	465 600 780	1000 1300 1680	2180 2800 3600	4650 6000 7800

Tolerance ± 15% mcd

*Bright View reserves the rights to alter specifications and remove availability of products at any time without notice.

*Dominant Wavelength, λ d is according to CIE Chromaticity Diagram base on color of lamps.

*θ 1/2 is the off-axis angle where the luminous intensity is one half the on-axis intensity.

*These products are sensitive to static electricity. Caution must be taken strictly to avoid static electricity.