

85SMX CRYSTALS

ISSUE 2; 7 SEPTEMBER 1999

Delivery Options

- Common frequencies are available from stock. Please see p142 for details

Holder Style

- 85SMX surface mount crystals are plastic encapsulated

General Specifications

- Load Capacitance (C_L): 12.5pF standard
- Drive Level: 1.0μW max

Packaging

- 85SMX surface mount crystals are available packaged individually or on tape and reel

Standard Frequencies

- 32.0kHz, 32.7680kHz, 38.0kHz, 40.0kHz, 44.10kHz, 60.0kHz, 75.0kHz, 76.80kHz, 77.50kHz, 77.5030kHz, 77.5050kHz, 96.0kHz, 100.0kHz, 150.0kHz, 153.60kHz, 200.0kHz, 307.20kHz, 614.40kHz

Standard Frequency Tolerances and Stabilities

- ±30ppm, ±50ppm, ±100ppm

Operating Temperature Ranges

- 20 to 70°C
- 40 to 85°C

Storage Temperature Range

- 55 to 125°C

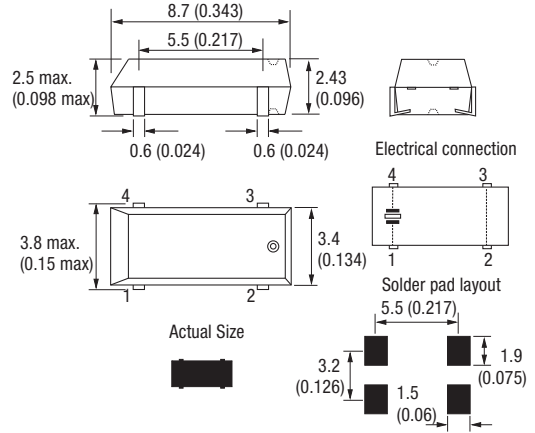
Marking

- Includes Frequency

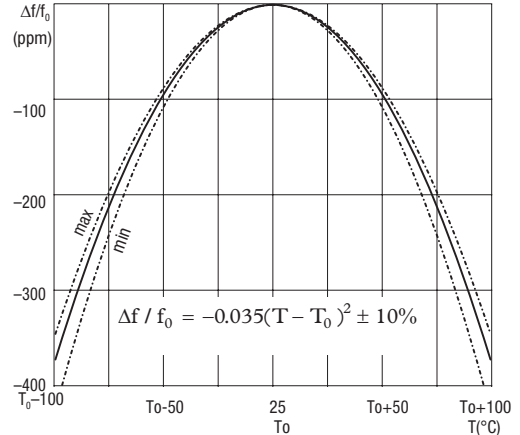
Minimum Order Information Required

Frequency + Holder + Frequency Tolerance @ 25°C
+ Operating Temperature Range + Circuit Condition

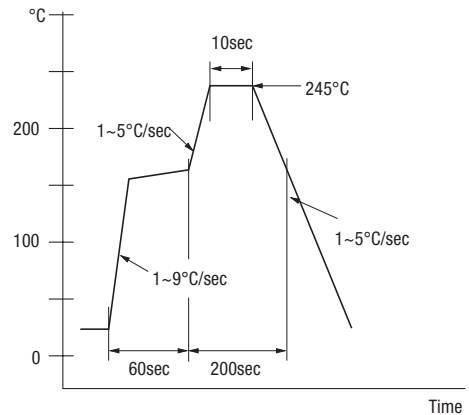
Outline in mm (inches) - 85SMX (scale 3:1)



Frequency Temperature Curve



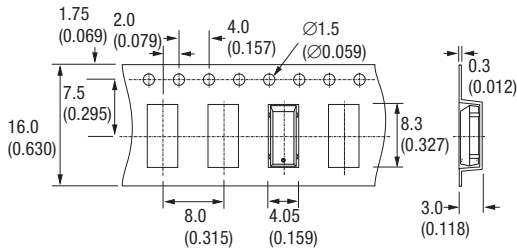
Typical Solder Condition - Infrared Reflow



Electrical Specification – maximum limiting values

Frequency	Frequency Tolerance @ 25°C ±2°C	Operating Temperature Range	Frequency Stability	ESR Max	Vibration Mode
30.0 to 150.0kHz	±30ppm to ±100ppm	-20 to 70°C	-80ppm	55kΩ	Fundamental X cut
		-40 to 85°C	-160ppm		
150.0 to 615.0kHz	±100ppm to ±1000ppm	-20 to 70°C	-80ppm	50kΩ	Fundamental X cut
		-40 to 85°C	-160ppm		

Outline in mm (inches) - Tape



Outline in mm (inches) - Reel (scale 1:8)

