



**TECHNICAL DATA  
DATA SHEET**

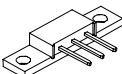
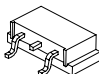
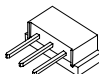
**66CNQ200 SCHOTTKY RECTIFIER**

**Applications:**

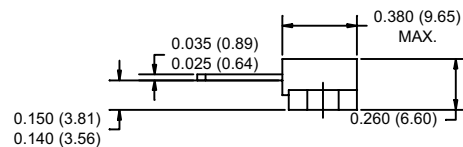
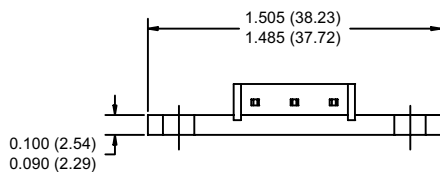
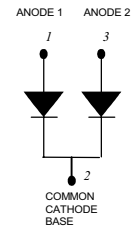
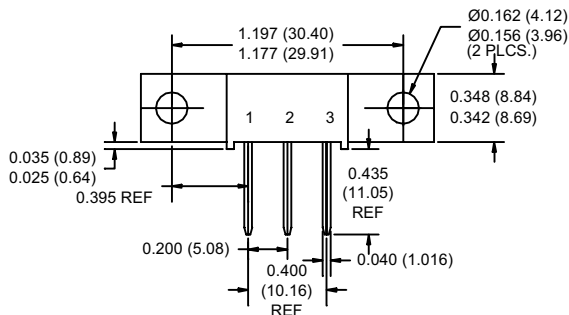
- Switching power supply
- Converters
- Free-Wheeling diodes
- Reverse battery protection

**Features:**

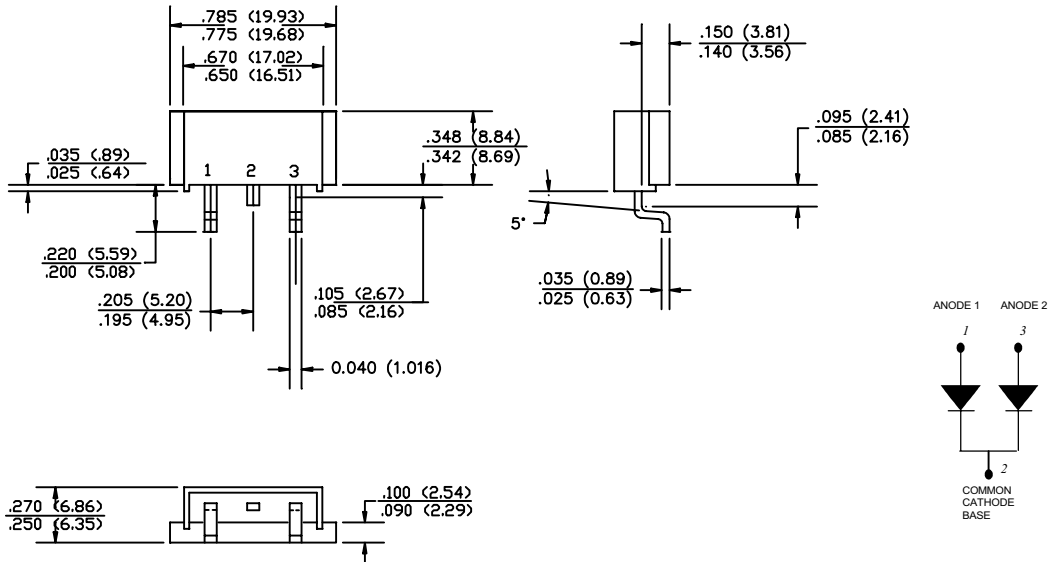
- 175°C T<sub>J</sub> operation
- Center tap module
- Very Low forward voltage drop
- High purity, high temperature epoxy encapsulation for enhanced mechanical strength and moisture resistance
- High frequency operation
- Guard ring for enhanced ruggedness and long term reliability
- Low profiles, small footprint, high current package

Case Styles		
<b>66CNQ200</b>	<b>66CNQ200SL</b>	<b>69CNQ200SM</b>
		
<b>D-61-6</b>	<b>D61-8</b>	<b>D61-8-SM</b>

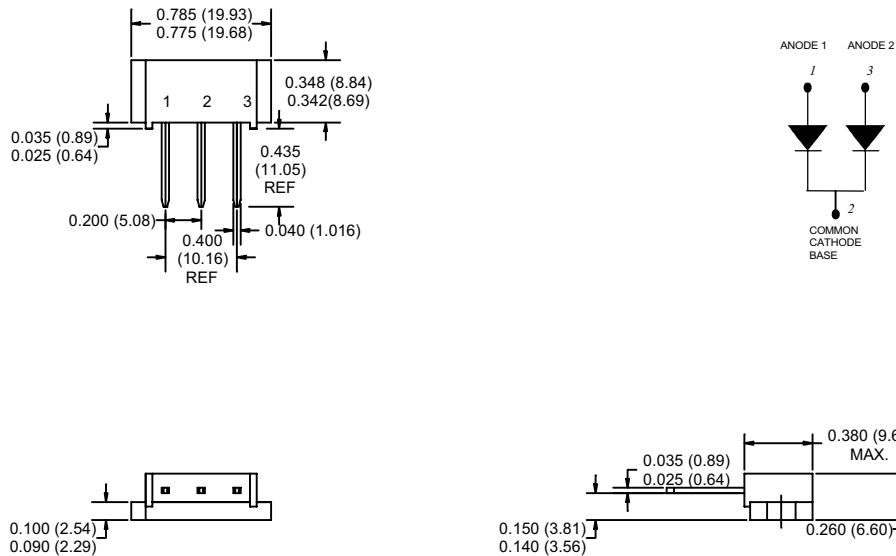
**Mechanical Dimensions: In Inches / mm**



**PRM3 (D-61-6)**



**PRM3-SL (D-61-6-SL)**



**PRM3-SM (D-61-6-SM)**

**SEMICONDUCTOR****Maximum Ratings:**

Characteristics	Symbol	Condition	Max.	Units
Peak Inverse Voltage	$V_{RWM}$	-	200	V
Max. Average Forward Current	$I_{F(AV)}$	50% duty cycle @ $T_C = 155^\circ\text{C}$ , rectangular wave form	60	A
Max. Peak One Cycle Non-Repetitive Surge Current (per leg)	$I_{FSM}$	8.3 ms, half Sine pulse	708	A

**Electrical Characteristics:**

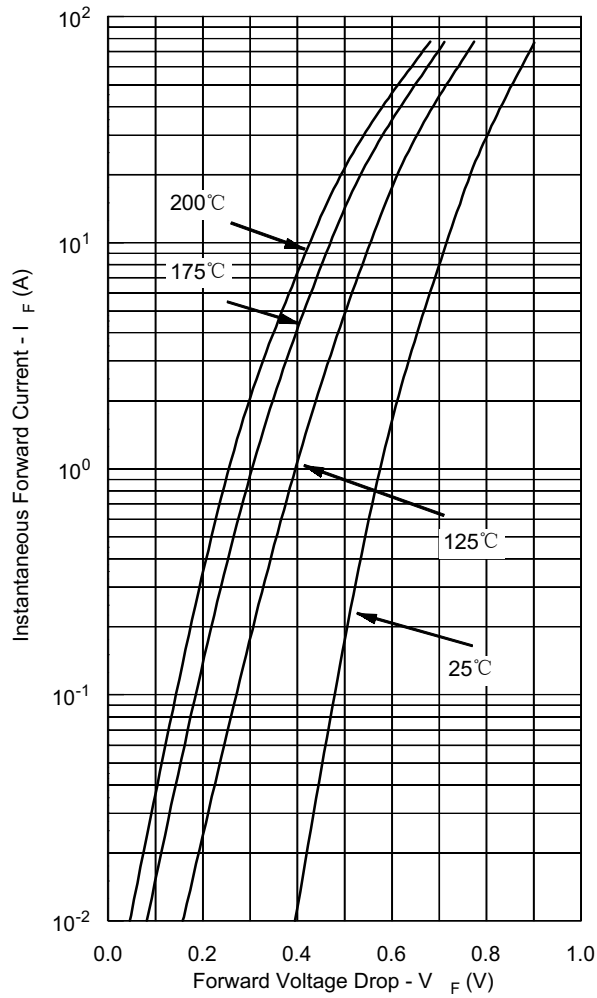
Characteristics	Symbol	Condition	Max.	Units
Max. Forward Voltage Drop (per leg)*	$V_{F1}$	@ 30 A, Pulse, $T_J = 25^\circ\text{C}$	0.92	V
	$V_{F2}$	@ 30 A, Pulse, $T_J = 125^\circ\text{C}$	0.72	V
Max. Reverse Current (per leg)*	$I_{R1}$	@ $V_R = \text{rated } V_R$ $T_J = 25^\circ\text{C}$	1.5	mA
	$I_{R2}$	@ $V_R = \text{rated } V_R$ $T_J = 125^\circ\text{C}$	21	mA
Max. Junction Capacitance (per leg)	$C_T$	@ $V_R = 5\text{V}$ , $T_C = 25^\circ\text{C}$ $f_{SIG} = 1\text{MHz}$	900	pF
Typical Series Inductance (per leg)	$L_S$	Measured lead to lead 5 mm from package body	6.0	nH
Max. Voltage Rate of Change	dv/dt	-	10,000	V/ $\mu\text{s}$

\* Pulse Width < 300 $\mu\text{s}$ , Duty Cycle <2%**Thermal-Mechanical Specifications:**

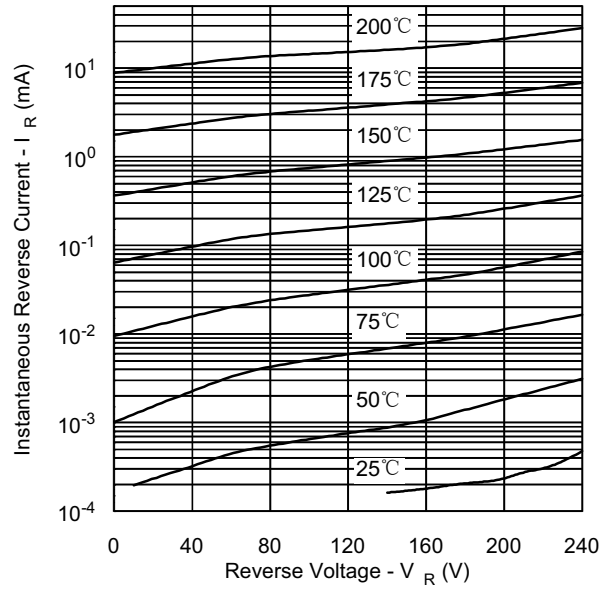
Characteristics	Symbol	Condition	Specification	Units
Max. Junction Temperature	$T_J$	-	-55 to +175	$^\circ\text{C}$
Max. Storage Temperature	$T_{stg}$	-	-55 to +175	$^\circ\text{C}$
Maximum Thermal Resistance Junction to Case	$R_{\theta JC}$	DC operation	0.85(per leg)	$^\circ\text{C/W}$
			0.42(per package)	
Maximum Thermal Resistance, Case to Heat Sink	$R_{\theta CS}$	Mounting surface, smooth and greased	0.30	$^\circ\text{C/W}$
Approximate Weight	wt	-	7.8	g
Mounting Torque	$T_M$	-	40(min) 58(max)	Kg-cm
Case Style	PRM3 PRM3-SL PRM3-SM			



**Typical Forward Characteristics**



**Typical Reverse Characteristics**



**Typical Junction Capacitance**

