

ADAPTERS, BETWEEN SERIES

DC - 40 GHz



2.4mm / 2.9mm

MODELS: 5151, 5152, 5153, 5154

SPECIFICATIONS:

Electrical:

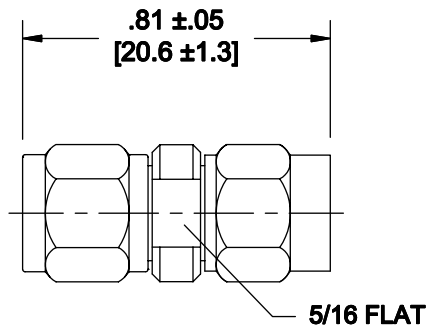
Frequency Range _____ DC - 40 GHz
VSWR
DC - 18 GHz _____ 1.10:1 Max.
18 - 26.5 GHz _____ 1.20:1 Max.
26.5 - 40 GHz _____ 1.30:1 Max.
Impedance _____ 50 Ohms
Operating Temp. Range _____ -65°C to +125°C

Mechanical:

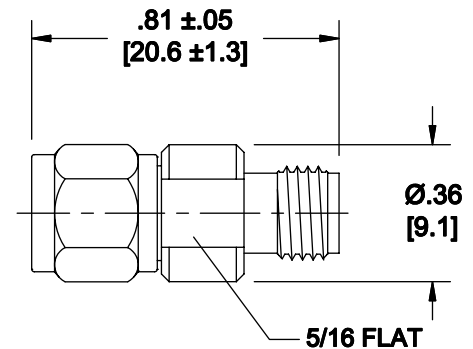
2.4mm Connectors _____ Passivated Stainless Steel
Mates with MIL-STD-348
2.9mm Connectors _____ Passivated Stainless Steel
Mates both Mechanically & Electrically with
all SMA, K* & 3.5mm Series Connectors.
Conductors _____ Gold Plated Beryllium Copper

K* is a trademark of Wiltron Corp.

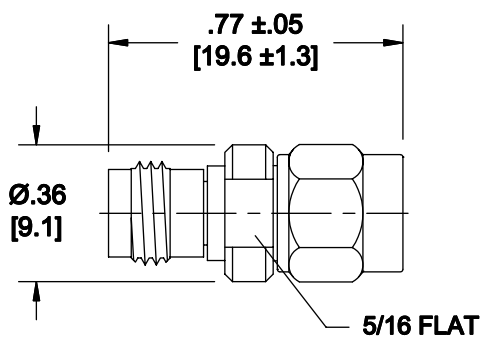
Model Number: **5154**
2.4mm Male / 2.9mm Male



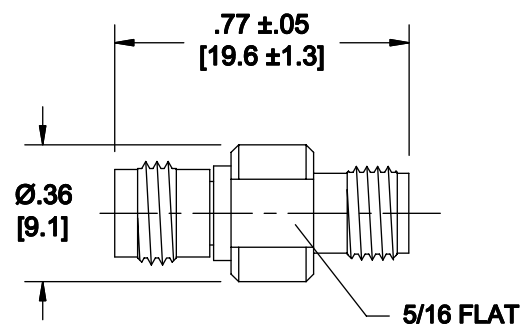
Model Number: **5153**
2.4mm Male / 2.9mm Female



Model Number: **5152**
2.4mm Female / 2.9mm Male



Model Number: **5151**
2.4mm Female / 2.9mm Female



Note: Dimensions in Brackets are Expressed in Millimeters and are for Reference Only.
Units that offer very low return loss (VSWR) are also available.

5154; REV B